

Image Sensor Sockets

TELEDYNE DALSA						
TELEDYNE DALSA Model Number	Andon Part Number Replace "XXX" with Terminal Type	Terminal Type		Pin Ø [in]	Figure Number	Page Number
		Thru-Hole	Surface Mount			
A-DJ-02084	IS229-2639-XXX-R29-L14	01M	93M	.018	4	1
IA-DJ-00524	IS229-1639D-XXX-R29-L14	80M	93M	.018	6	2
IA-DJ-01044	IS229-1639D-XXX-R29-L14	80M	93M	.018	6	2
FTF6040C	575-20-16-096-XXX-R29-L14	01M	93M	.018	3	1
FTF6040M	575-20-16-096-XXX-R29-L14	01M	93M	.018	3	1
FTF6080C	575-25-04-080-XXX-R29-L14	01M	93M	.018	1	1
FTF6080M	575-25-04-080-XXX-R29-L14	01M	93M	.018	1	1
FTF7046C	575-20-16-096-XXX-R29-L14	01M	93M	.018	3	1
FTF7046M	575-20-16-096-XXX-R29-L14	01M	93M	.018	3	1
FTF9168C	580-25-02-080-XXX-R29-L14	75M	384M	.018	5	2
FTF9168M	580-25-02-080-XXX-R29-L14	75M	384M	.018	5	2
FTT1010M	IS231-1476-XXX-P29-L14	01M	93M	.018	2	1

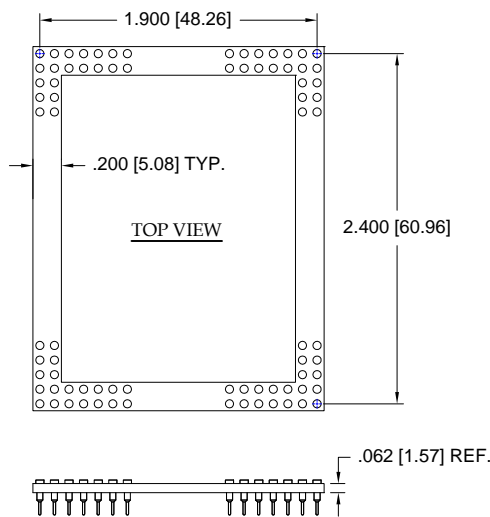


Fig.1

Thru-Hole: 575-25-04-080-01M-R29-L14
Surface Mount: 575-25-04-080-93M-R29-L14

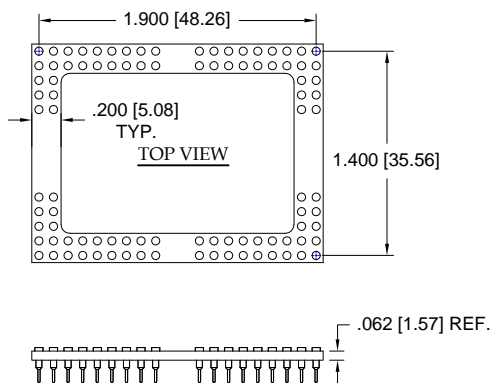


Fig.3

Thru-Hole: 575-20-16-096-01M-R29-L14
Surface Mount: 575-20-16-096-93M-R29-L14

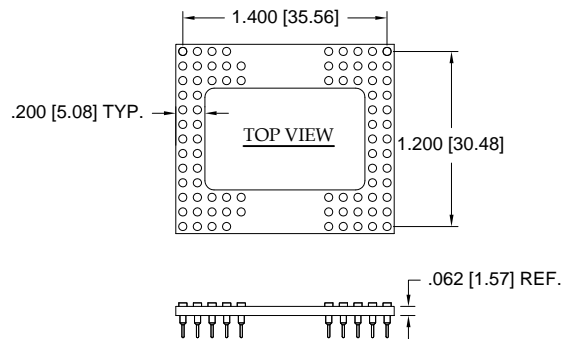


Fig.2

Thru-Hole: IS231-1476-01M-R29-L14
Surface Mount: IS231-1476-93M-R29-L14

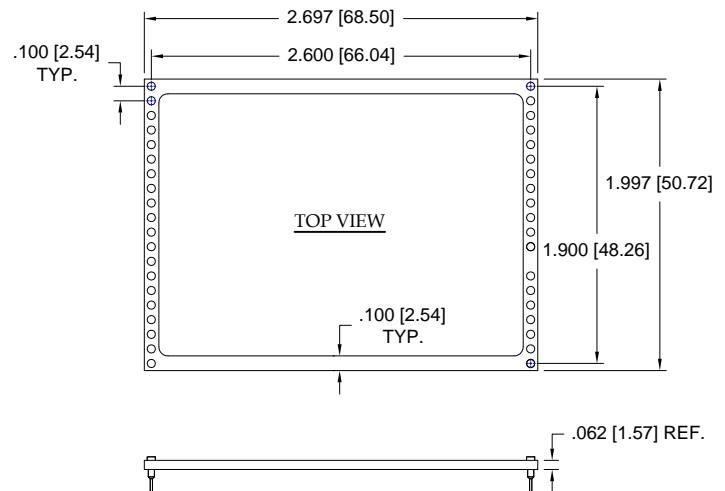


Fig.4

Thru-Hole: IS229-2639-01M-R29-L14
Surface Mount: IS229-2639-93M-R29-L14

TELEDYNE DALSA *Continued*
Image Sensor Socket Footprints
Units: in [mm]

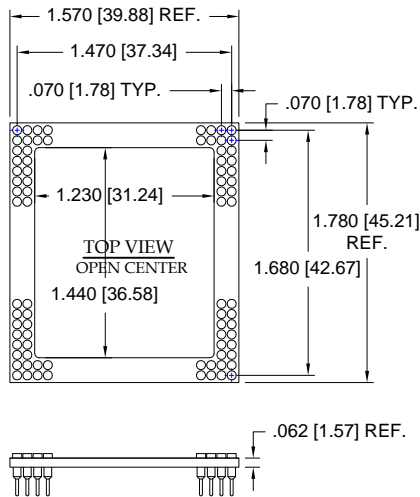


Fig.5
Thru-Hole: 580-25-02-080-75M-R29-L14
Surface Mount: 580-25-02-080-384M-R29-L14

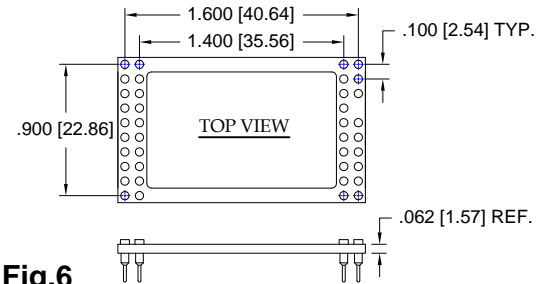
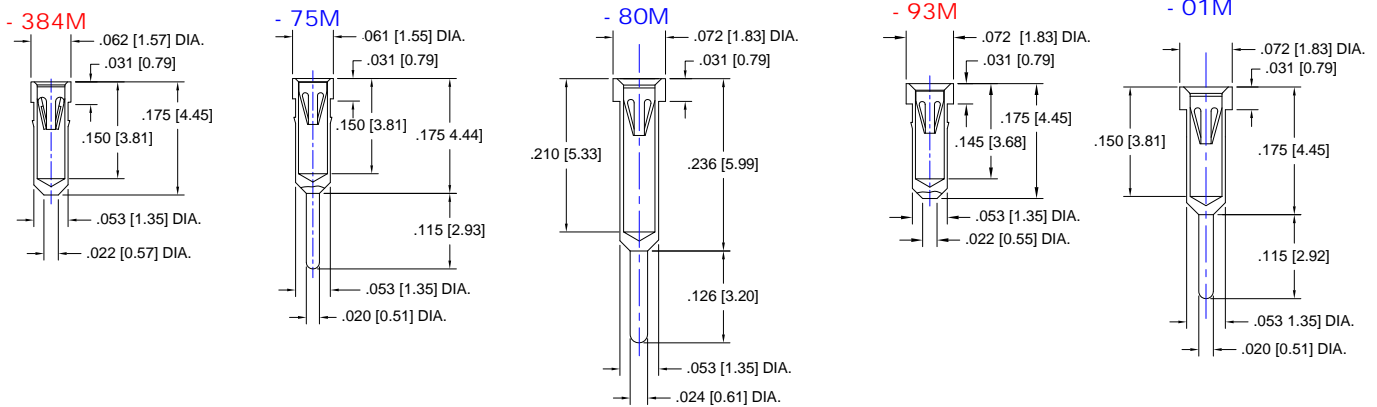


Fig.6
Thru-Hole: IS229-1639D-80M-R29-L14
Surface Mount: IS229-1639D-93M-R29-L14

Socket Terminal Details
Cross Section View Shown Units: in [mm]



TECHNICAL INFORMATION

Material:

- Insulator: Hi-Temp UL94V-0
- Terminal: Brass, per ASTM-B16
- Contact: BeCu, per ASTM-B194

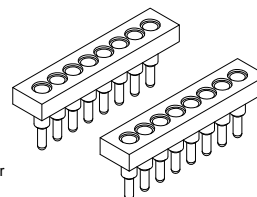
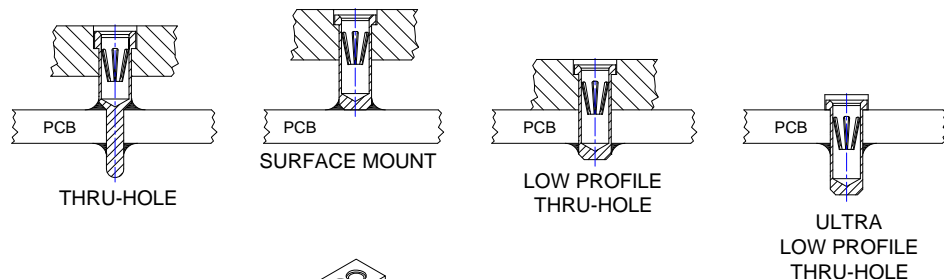
Standard Forces:

- "M" Insertion: 1.6 oz. MAX. with .018 [0.46] Dia. Probe
Withdrawal: .5 oz. MIN. with .018 [0.46] Dia. Probe
- "T" Insertion: 1.0 oz. MAX. with .010 [0.25] Dia. Probe
Withdrawal: 0.3 oz. MIN. with .010 [0.25] Dia. Probe
- "T4" Insertion: 1.0 oz. MAX. with .011 [0.28] Dia. Probe
Withdrawal: 0.3 oz. MIN. with .011 [0.28] Dia. Probe

Standard Plating:

- R27 Terminal: Gold Contact: Gold
- R29 Terminal: Tin Contact: Gold

MOUNTING OPTIONS



SIPS AVAILABLE
(CONTACT FACTORY)