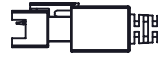
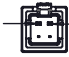
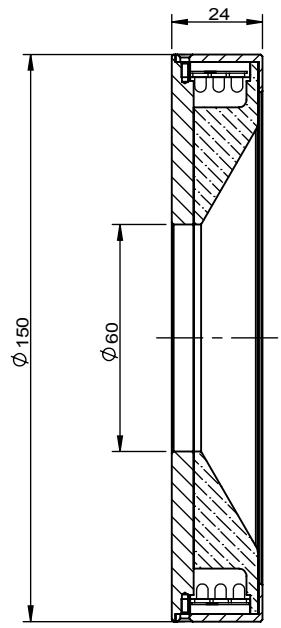
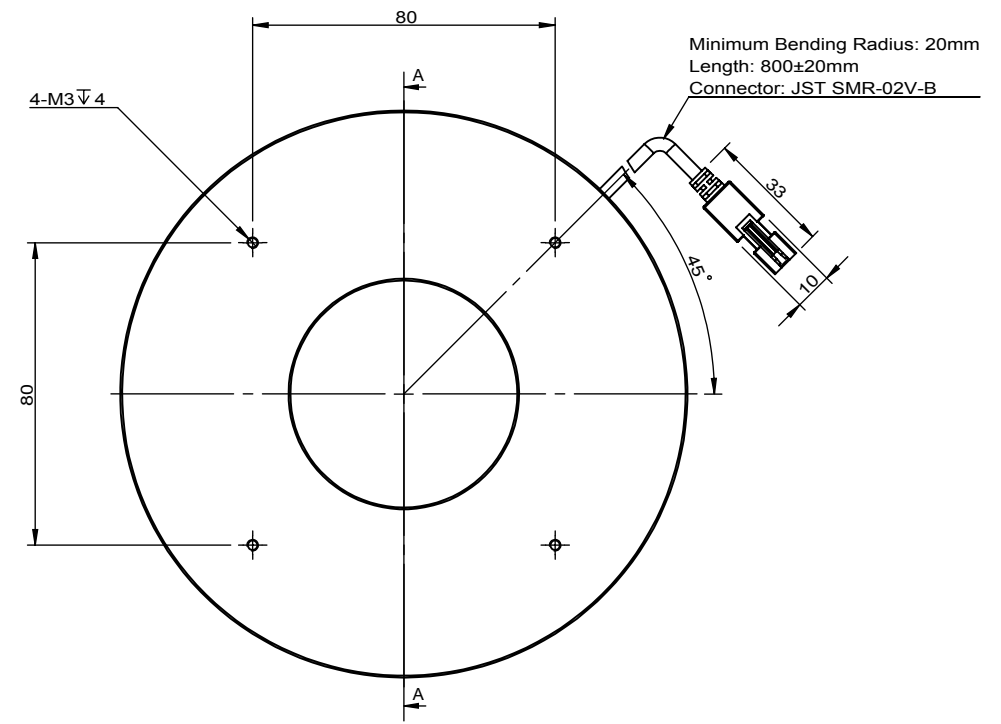



Model	Color	Voltage	Power
OPT-RIE150-R	Red	24V	5W
OPT-RIE150-W	White	24V	8.8W
OPT-RIE150-B	Blue	24V	8.8W
OPT-RIE150-G	Green	24V	8.8W

JST SMR-02V-B, 2 Pin or Compactible Connector		Pin	Polarity	Wire Color
	2	1	+	Red
	1	2	-	Black



Sectional View
A-A



View Angle	Remark	Item	Signature	Date			
	Advised Controller: OPT-AP1024F OPT-DPA2024E	Drawing					
Standard Difference		Design					
IT14		Check					
		Approve					
		Paper Size	A ₄				
Revised Date	2019/1/25	Scale	1:1	Page	1/1 Total Page	Version	V2.0



OPT-RIE150-X

Copyright © 2011 by OPT
All Rights Reserved

Drawing Code: KFBZ20190121KF0701