

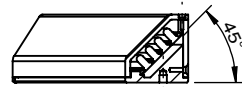
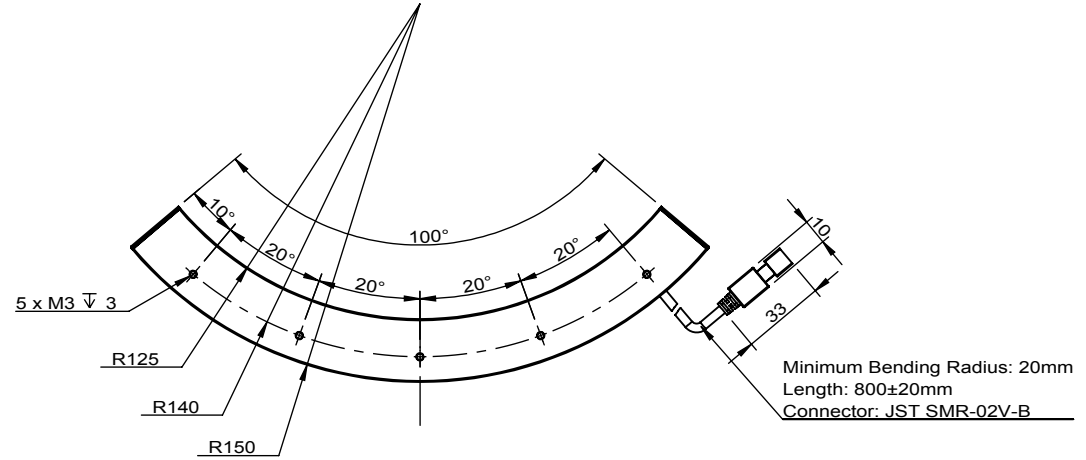
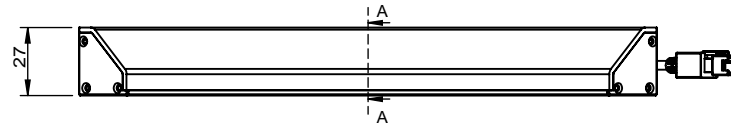



Model	Color	Voltage	Power
OPT-RIC30045-W	White	24V	7.78W
OPT-RIC30045-B	Blue	24V	7.78W

JST SMR-02V-B, 2 Pin or Compactible Connector		Pin	Polarity	Wire Color
	2	1	+	Red
	1	2	-	Black



Sectional View
A-A



View Angle	Remark	Item	Signature	Date	 OPT MACHINE VISION				
		Drawing							
Standard Difference	Advised Controller: OPT-AP1024F OPT-DPA2024E	Design							
IT14		Check							
		Approve							
		Paper Size	A ₄		<h1>OPT-RIC30045-X</h1>				
Drawing Code	KFBZ20190121KF0701	Revised Date	2019/1/25	Scale		1:3	Page	1/1 Total Page	Version

Copyright © 2011 by OPT
All Rights Reserved