
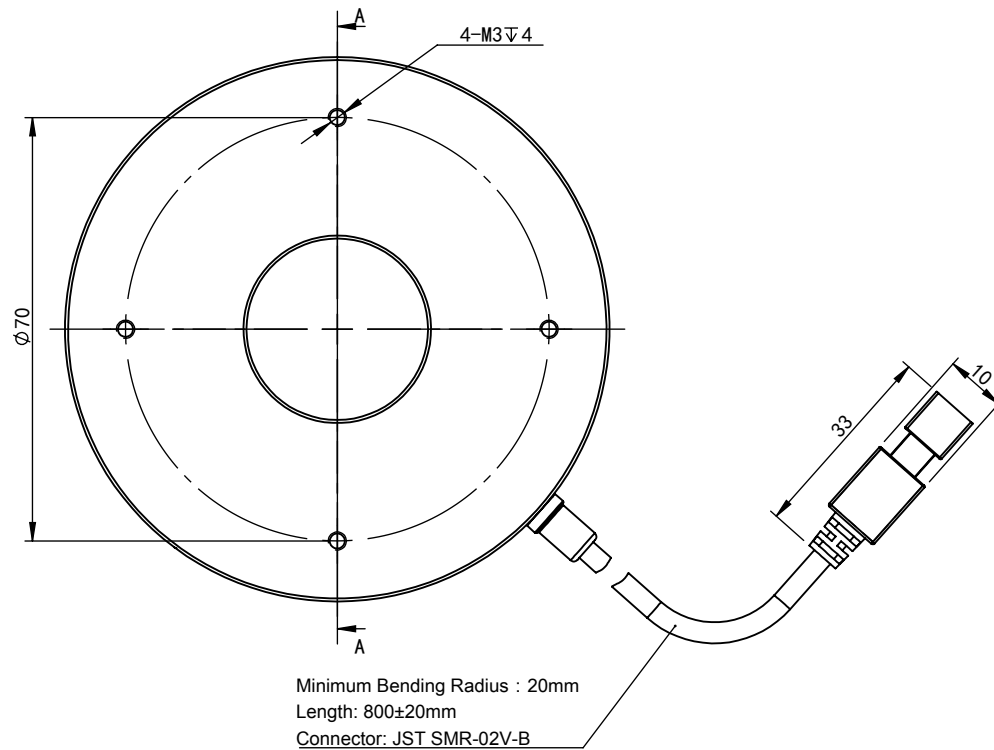
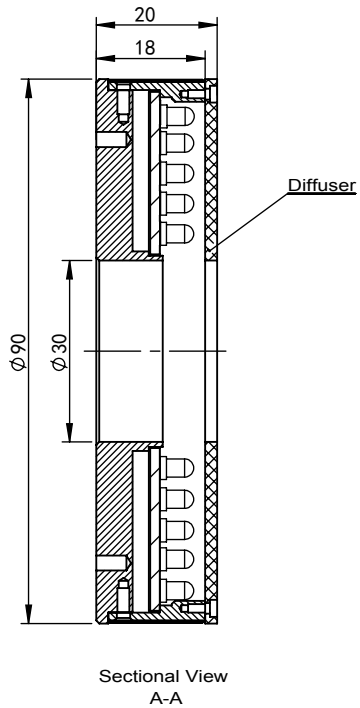




Model	Colour	Voltage	Power
OPT-RI9000-R	Red	24V	5.2W
OPT-RI9000-W	White	24V	7.5W
OPT-RI9000-B	Blue	24V	7.5W

JST SMR-02V-B, 2 Pin(Male) or Compactible Connector		Pin	Polarity	Wire Colour
	1	+	Red	
	2	-	Black	



View Angle	Remark	Item	Signature	Date	 <b>OPT MACHINE VISION</b>  <b>OPT-RI9000-X</b>		
	1. Accessory: Diffuser ; 2. Advised Controller: OPT-AP1024F OPT-DPA2024E	Drawing					
Standard Difference		Design					
IT14		Check					
		Approve					
		Paper Size	A <sub>4</sub>				
Design Time	2019/2/21	Rate	1:1.25	Page	1/1 Total Page	Version	V4.0

Copyright © 2011 by OPT  
All Rights Reserved

Drawing Code      KFBZ20190221KF0701