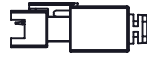
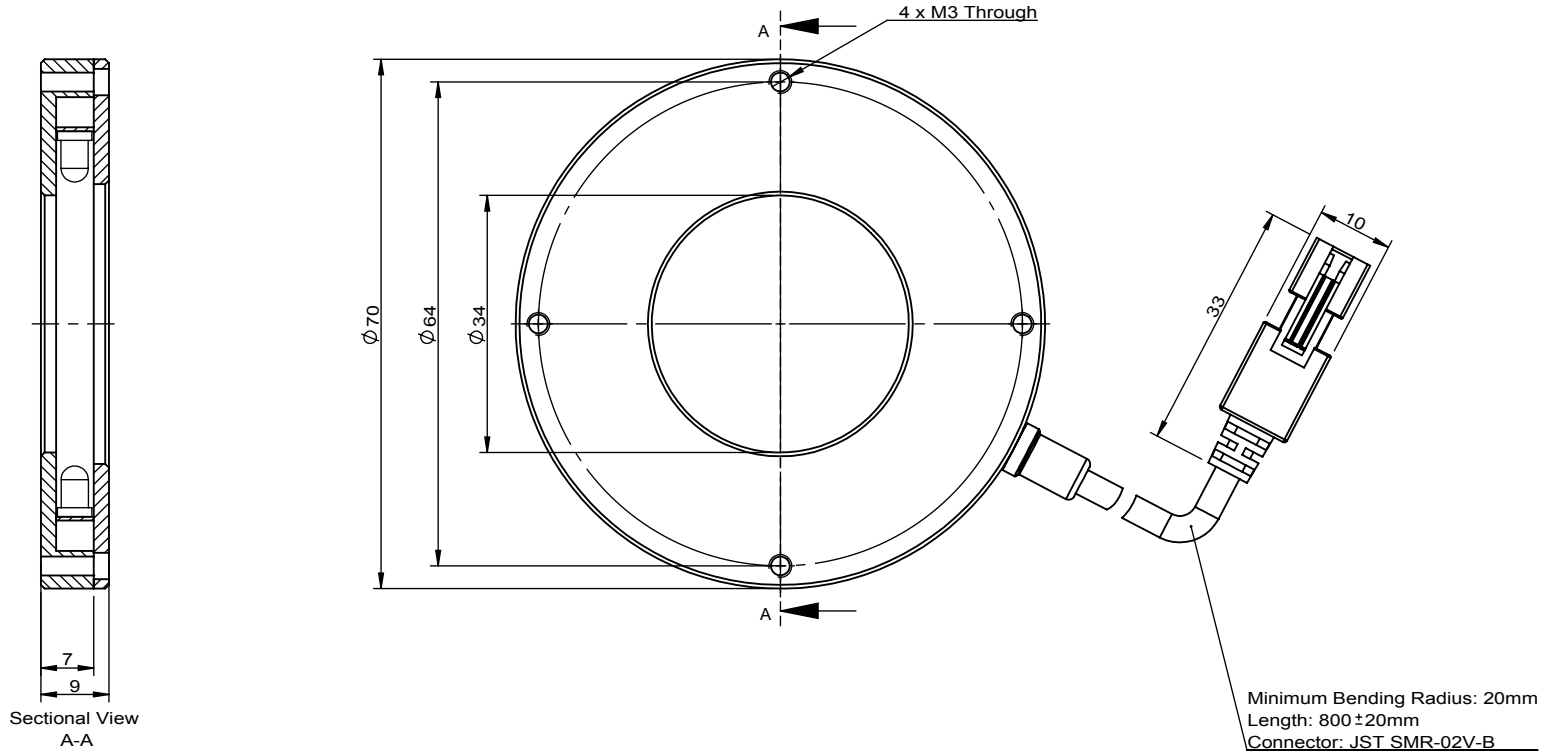




Model	Color	Voltage	Power
OPT-RI7090-R	Red	24V	0.4W
OPT-RI7090-W	White	24V	1.3W
OPT-RI7090-B	Blue	24V	1.3W
OPT-RI7090-G	Green	24V	1.3W

JST SMR-02V-B, 2 Pin or Compactible Connector		Pin	Polarity	Wire Color
	2	1	+	Red
		2	-	Black



View Angle	Remark	Item	Signature	Date	 OPT MACHINE VISION OPT-RI7090-X		
	Advised Controller: OPT-AP1024F OPT-DPA2024E	Drawing					
Standard Difference		Design					
IT14		Check					
		Approve					
		Paper Size	A ₄				
Revised Date	2019/3/22	Scale	1:1	Page	1/1 Total Page	Version	V2.1

Copyright © 2011 by OPT
All Rights Reserved

Drawing Code: KFBZ20190221KF0701