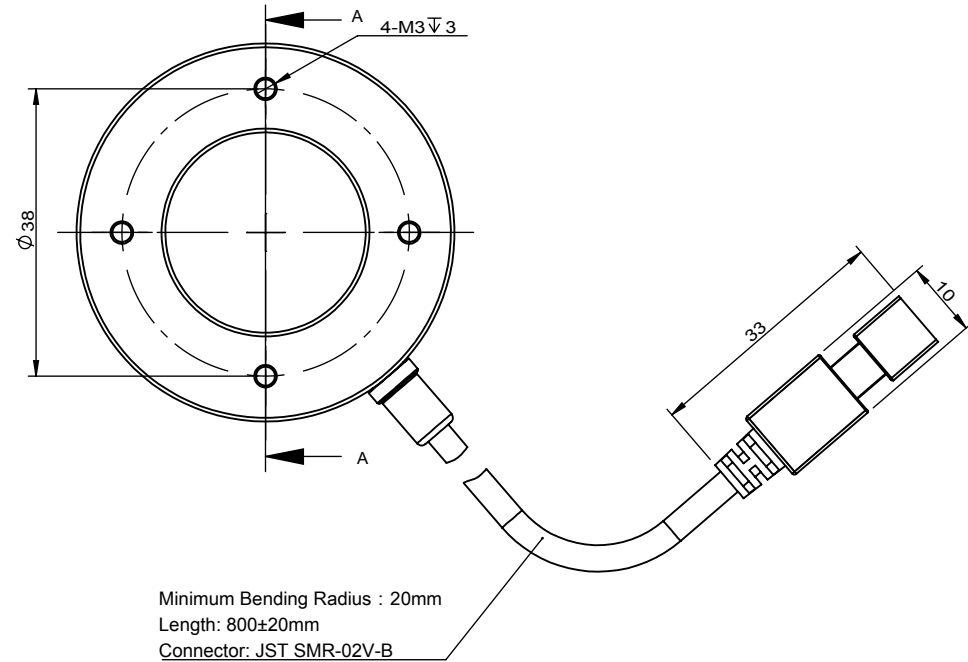
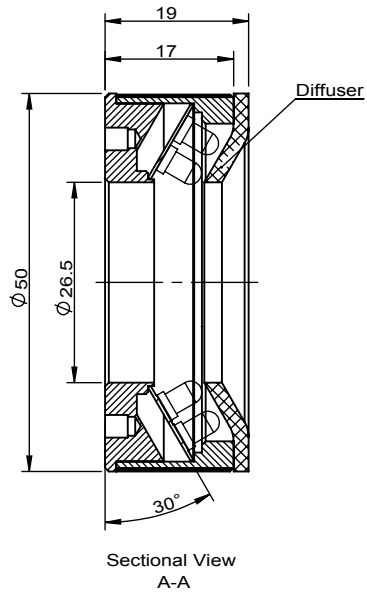


| Model        | Colour | Voltage | Power |
|--------------|--------|---------|-------|
| OPT-RI5030-R | Red    | 24V     | 1.1W  |
| OPT-RI5030-W | White  | 24V     | 2.0W  |
| OPT-RI5030-B | Blue   | 24V     | 2.0W  |

| JST SMR-02V-B, 2 Pin(Male)<br>or Compactible Connector |   | Pin | Polarity | Wire Colour |
|--|---|-----|----------|-------------|
|  | 1 | 1   | +        | Red         |
|  | 2 | 2   | -        | Black       |



| View Angle          | Remark   | Item       | Signature      | Date | <br>OPT MACHINE VISION<br><br><b>OPT-RI5030-X</b> |         |      |
|---------------------|--|------------|----------------|------|---|---------|------|
|                     | 1. Accessory:<br>Diffuser ;<br>2. Advised Controller:<br>OPT-AP1024F<br>OPT-DPA2024E | Drawing    |                |      |   |         |      |
| Standard Difference |  | Design     |                |      |   |         |      |
| IT14                |  | Check      |                |      |   |         |      |
|                     |  | Approve    |                |      |   |         |      |
|                     |  | Paper Size | A <sub>4</sub> |      |   |         |      |
| Design Time         | 2019/2/22  | Rate       | 1:1            | Page | 1/1 Total Page                                    | Version | V4.0 |

Copyright © 2011 by OPT  
All Rights Reserved

Drawing Code      KFBZ20190221KF0701