

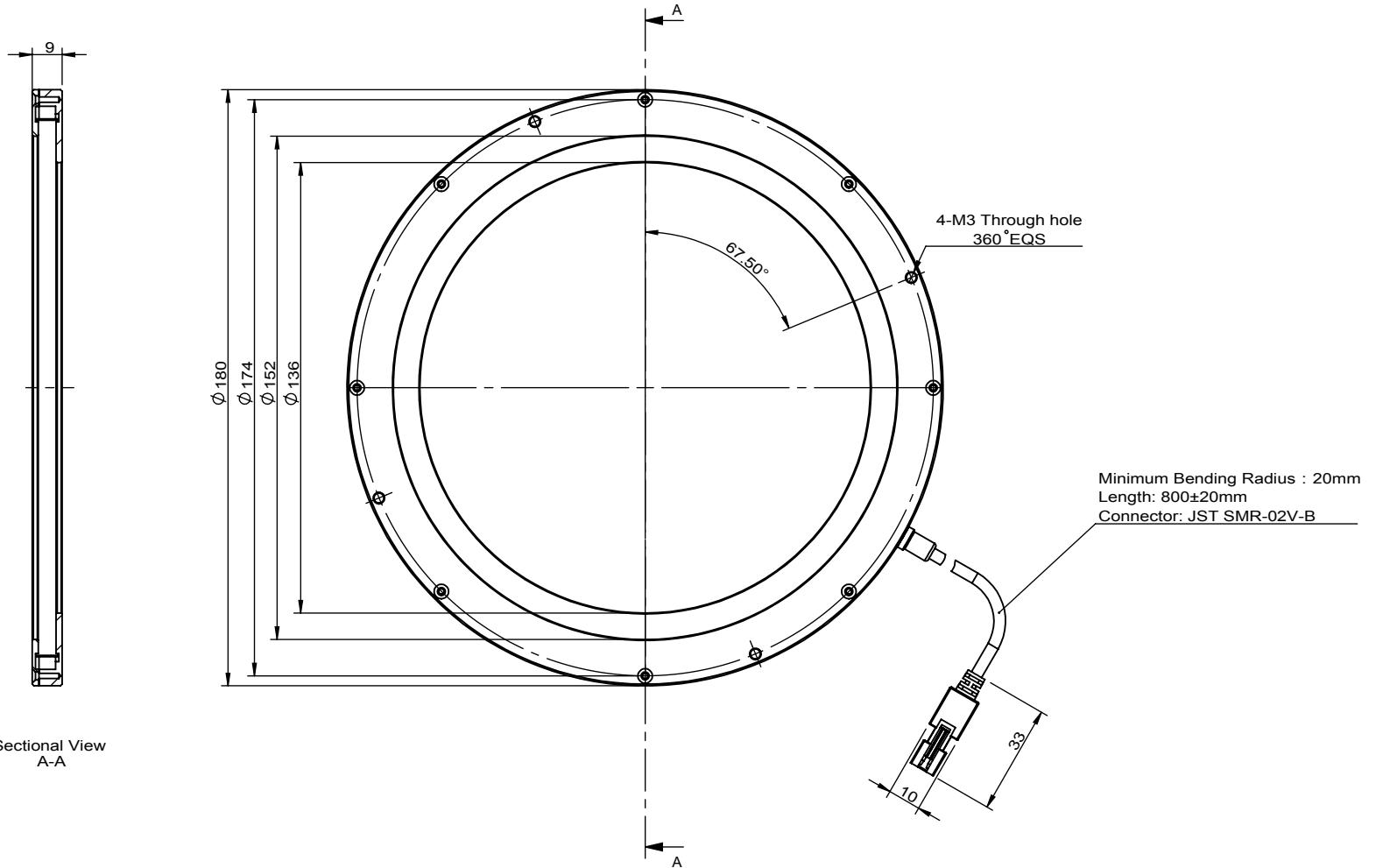




Model	Color	Voltage	Power
OPT-RI18090-W	White	24V	3.4W
OPT-RI18090-B	Blue	24V	3.4W
OPT-RI18090-G	Green	24V	3.4W
OPT-RI18090-R	Red	24V	1.4W

JST SMR-02V-B, 2 Pin or Compactible Connector		Pin	Polarity	Wire Color
	2	1	+	Red
	1	2	-	Black



View Angle	Remark	Item	Signature	Date	 <b>OPT</b> OPT MACHINE VISION Machine Vision		
	Advised Controller: OPT-AP1024F OPT-DPA1024E OPT-DPA2024E	Drawing					
Standard Difference		Design					
		Check					
		Approve					
IT14	Copyright © 2011 by OPT All Rights Reserved	Paper Size	A <sub>4</sub>				
		Revised Date	2019-04-04	Scale	1:1	Page	1/1 Total Page

**OPT-RI18090-X**