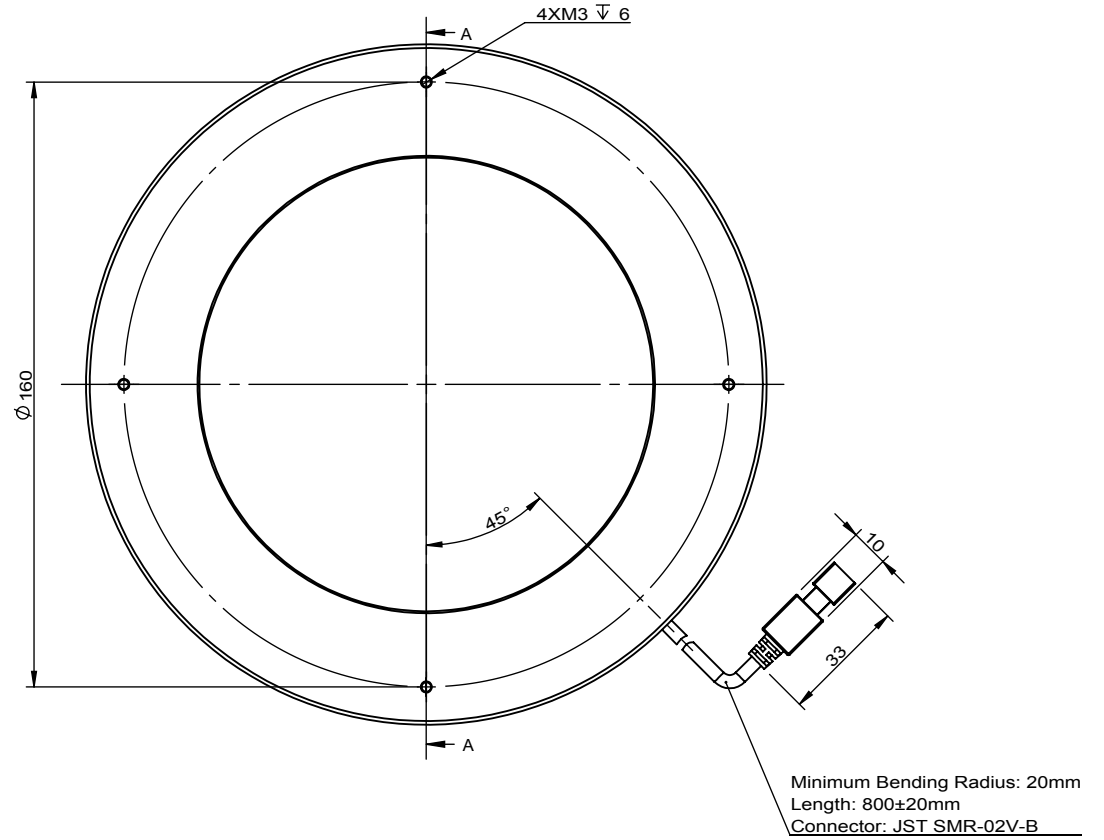
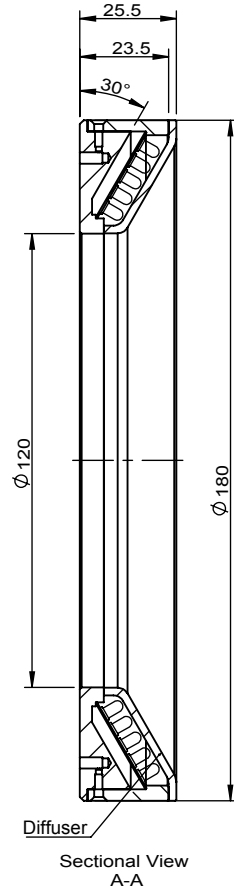


Model	Color	Voltage	Power
OPT-RI18030-R	Red	24V	10W
OPT-RI18030-W	White	24V	18.5W
OPT-RI18030-B	Blue	24V	18.5W
OPT-RI18030-G	Green	24V	18.5W

JST SMR-02V-B, 2 Pin or Compactible Connector		Pin	Polarity	Wire Color
		1	+	Red
		2	-	Black



View Angle	Remark	Item	Signature	Date					
	1. Accessory: Diffuser ; 2. Advised Controller: OPT-AP1024F OPT-DPA2024E	Drawing				OPT-RI18030			
Standard Difference		Design							
IT14		Check							
		Approve							
		Paper Size	A ₄						
Drawing Code	KFBZ20190221KF0701	Revised Date	2019/2/21	Scale	1:2	Page	1/1 Total Page	Version	V2.1

Copyright © 2011 by OPT
All Rights Reserved