

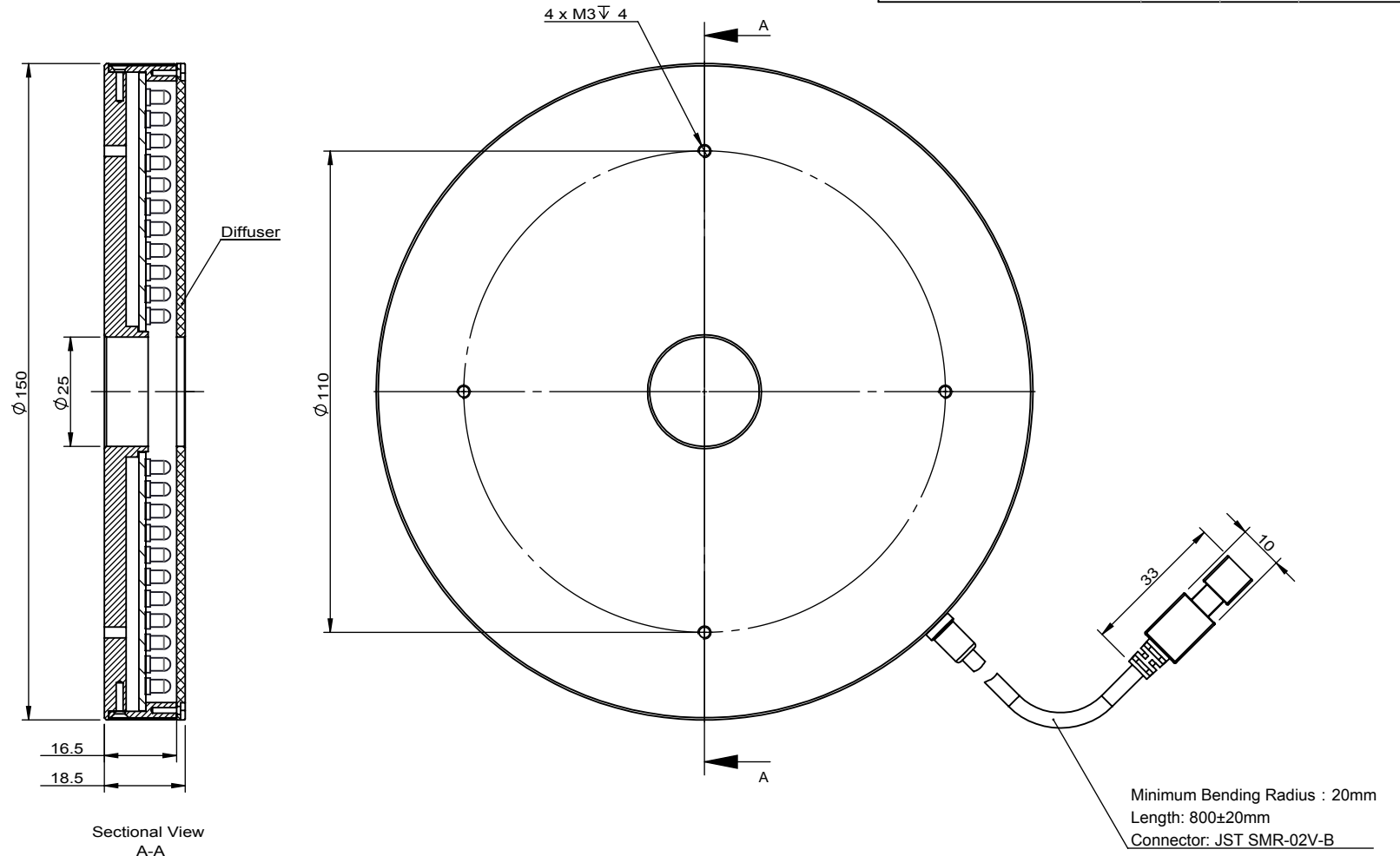



Model	Colour	Voltage	Power
OPT-RI15000-R	Red	24V	12W
OPT-RI15000-W	White	24V	19.2W
OPT-RI15000-B	Blue	24V	19.2W

JST SMR-02V-B, 2 Pin(Male) or Compactible Connector		Pin	Polarity	Wire Colour
	2	1	+	Red
	1	2	-	Black



View Angle	Remark	Item	Signature	Date
	1. Accessory: Diffuser ; 2. Advised Controller: OPT-AP1024F OPT-DPA2024E	Drawing		
Standard Difference		Design		
IT14		Check		
		Approve		
		Paper Size	A ₄	
Drawing Code	KFBZ20190221KF0701	Design Time	2019-04-04	Rate

OPT Machine Vision **OPT MACHINE VISION**

OPT-RI15000-X

Rate	1:1.5	Page	1/1 Total Page	Version	V4.0
------	-------	------	----------------	---------	------

Copyright © 2011 by OPT
All Rights Reserved