
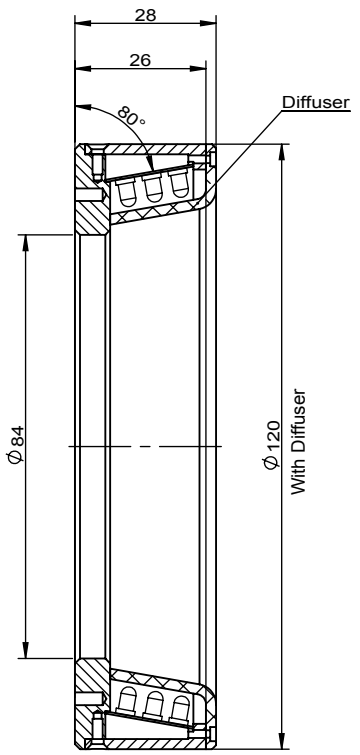
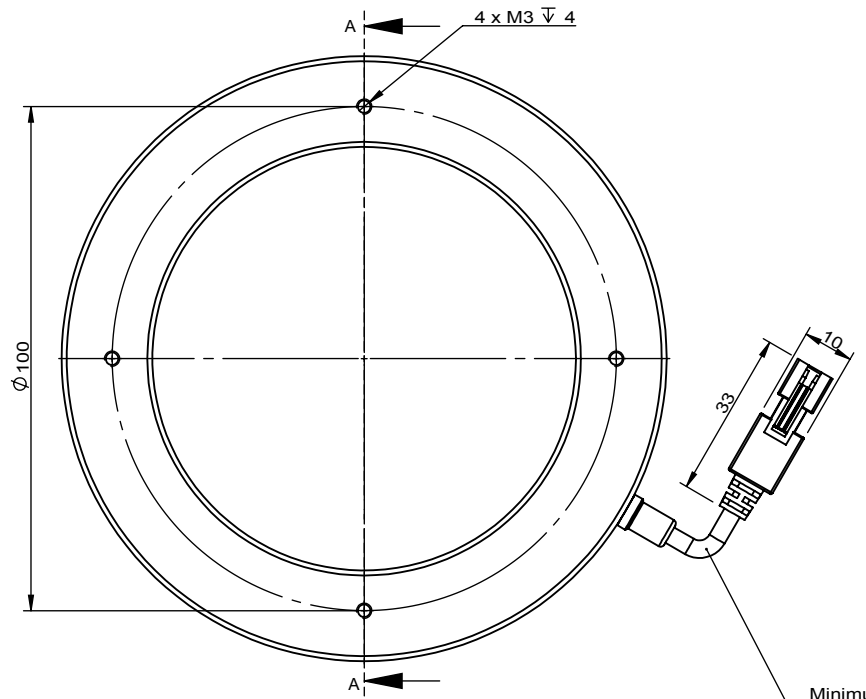


Model	Color	Voltage	Power
OPT-RI12080-R	Red	24V	5.3W
OPT-RI12080-W	White	24V	8.1W
OPT-RI12080-B	Blue	24V	8.1W
OPT-RI12080-G	Green	24V	8.1W


JST SMR-02V-B, 2 Pin or Compactible Connector		Pin	Polarity	Wire Color
	2	1	+	Red
		2	-	Black



Sectional View A-A



Minimum Bending Radius: 20mm
Length: 800 ± 20mm
Connector: JST SMR-02V-B

View Angle	Remark	Item	Signature	Date
	1. Accessory: Diffuser ; 2. Advised Controller: OPT-AP1024F OPT-DPA2024E	Drawing		
Standard Difference		Design		
IT14		Check		
		Approve		
		Paper Size	A ₄	
Revised Date	2019/1/26			



OPT-RI12080-X

Copyright © 2011 by OPT
All Rights Reserved

Drawing Code: KFBZ20190121KF0701

Scale: 1:1.5 Page: 1/1 Total Page Version: V2.0