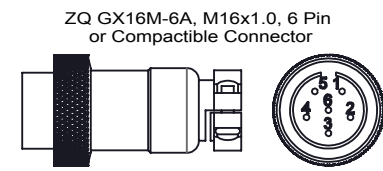
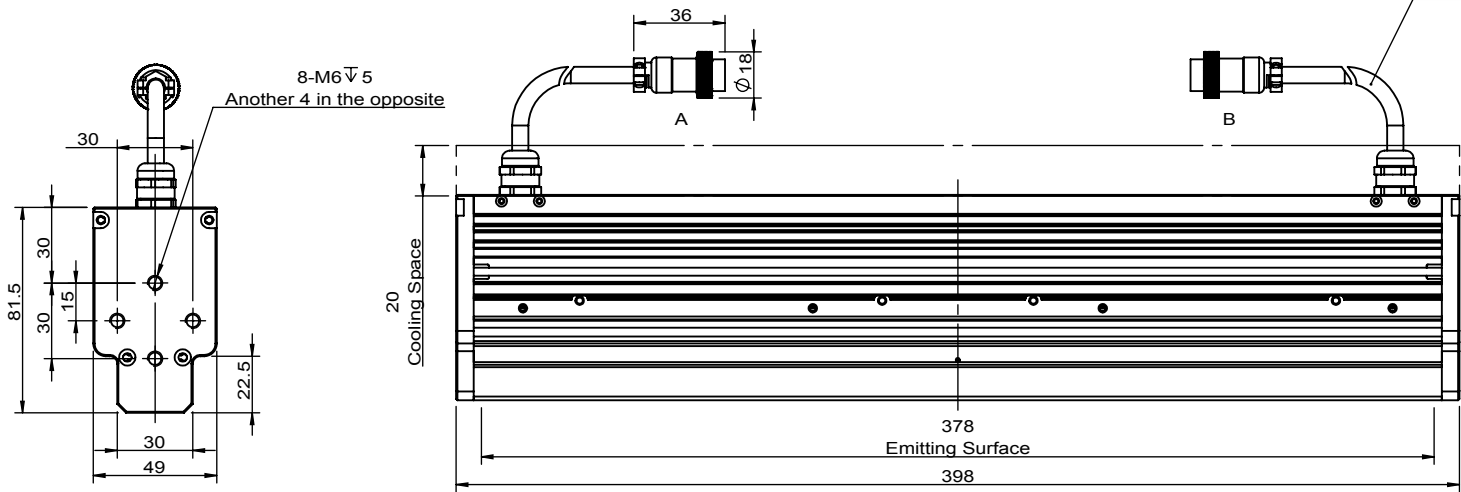


Model	Color	Current	Power	Channel
OPT-LSS398-W	White	6.3A	151.2W	2
OPT-LSS398-B	Blue	6.3A	151.2W	2

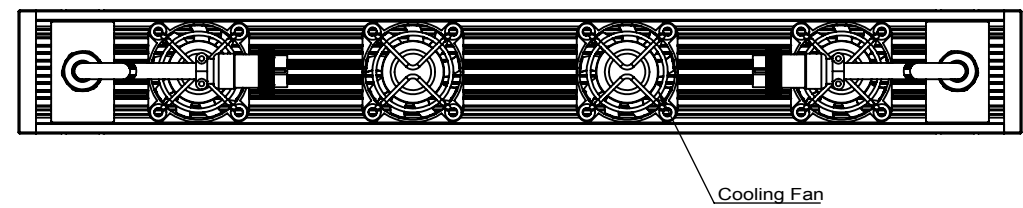
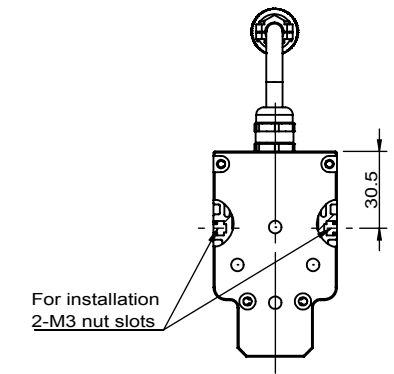


Pin	Pin Definition
1	Light +
2	Light -
3	Fan +
4	Fan -
5	NC*
6	NC*

* DO NOT CONNECT ANY COMPONENT



2-Minimum Bending Radius : 40mm
 Length: 1000±20mm
 Connector: ZQ GX16M-6A



View Angle	Remark	Item	Signature	Date
Standard Difference	Advised Controller: OPT-APA6024 OPT-DPA6024	Drawing		
		Design		
		Check		
		Approve		
IT14		Paper Size	A ₄	
		Revised Date	2019-04-03	



OPT-LSS398-W

Copyright © 2011 by OPT
 All Rights Reserved