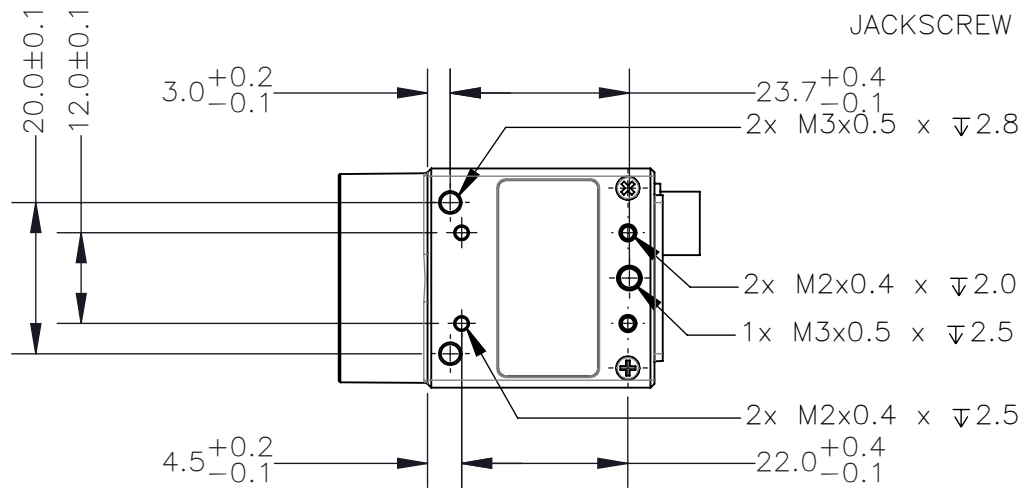
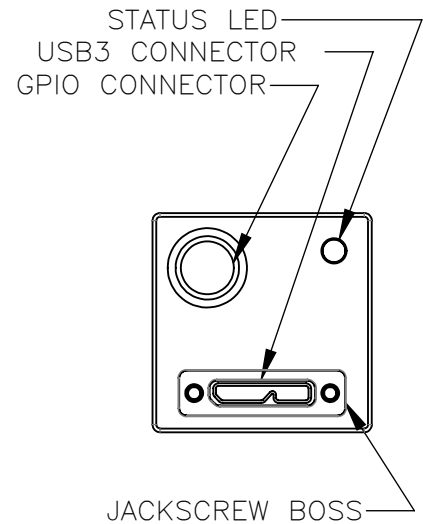
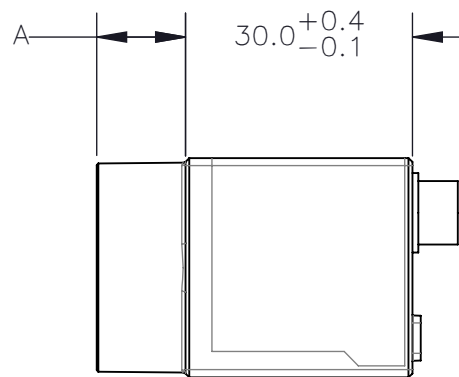
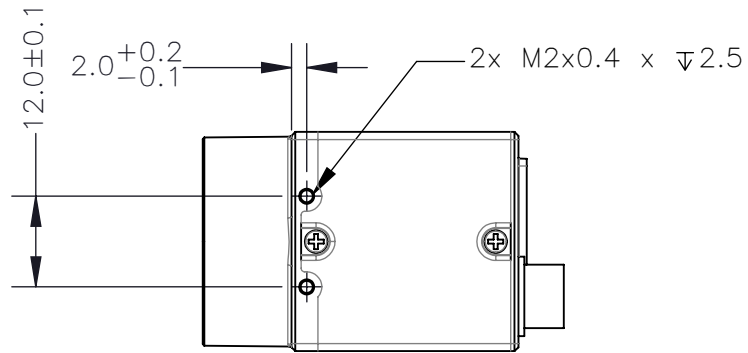
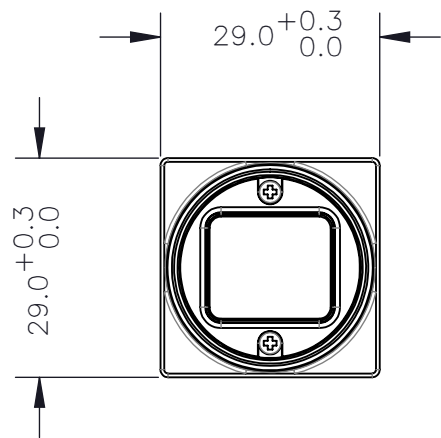
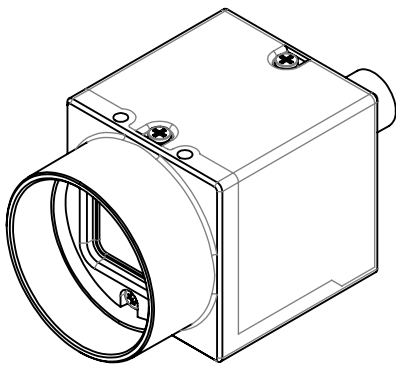


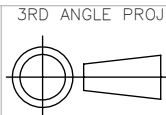
REVISIONS			
REV.	DESCRIPTION	DATE	DONE BY
0	INITIAL RELEASE, ADDED IMX183	10.MAY.17	CHRIS



BARREL LENGTH - "A" (+0.10/-0.15)		
SENSOR	C-MOUNT	CS-MOUNT
IMX183	11.76	-



PROPRIETARY AND CONFIDENTIAL
THE INFORMATION CONTAINED IN THIS DRAWING IS
THE SOLE PROPERTY OF FLIR INTEGRATED IMAGING
SOLUTIONS. ANY REPRODUCTION IN PART OR
WHOLE WITHOUT THE WRITTEN PERMISSION OF FLIR
INTEGRATED IMAGING SOLUTIONS IS PROHIBITED.



TOLERANCES
X.X ±0.3
X.XX ±0.10
X.XXX ±0.020
ANGLES ±0.5°

UNLESS OTHERWISE
STATED:
ALL DIMENSIONS IN MM
MACHINE FINISH 1.6µM

SCALE DWG NO
1:1 FL2-020-R0
SIZE TITLE
A FL2, FL2G, FL3, BFLY, BFS 1" LF U3

SHEET REV
1 OF 3 0