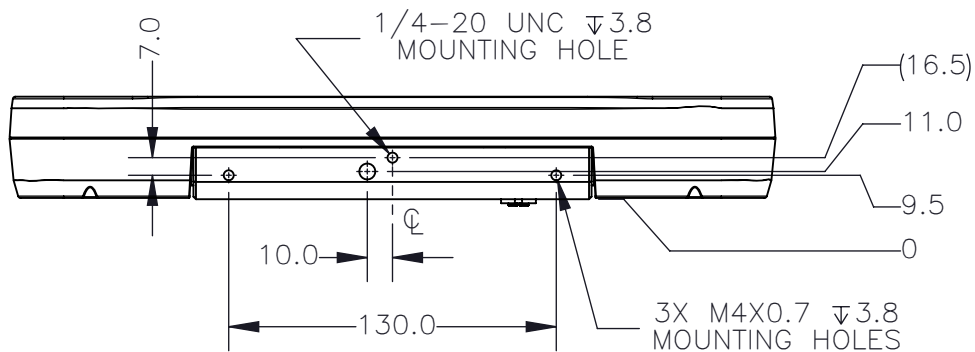
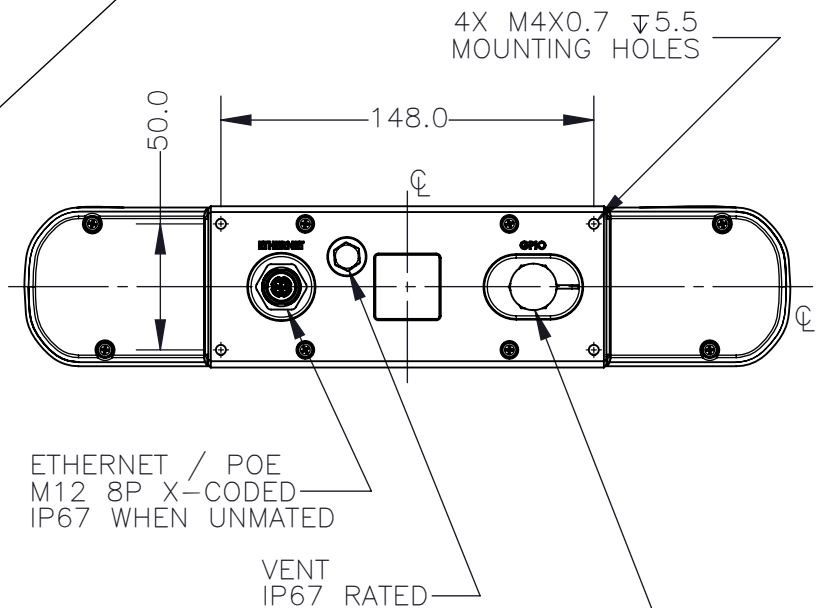
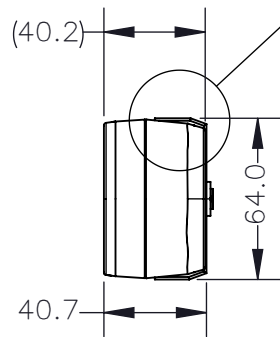
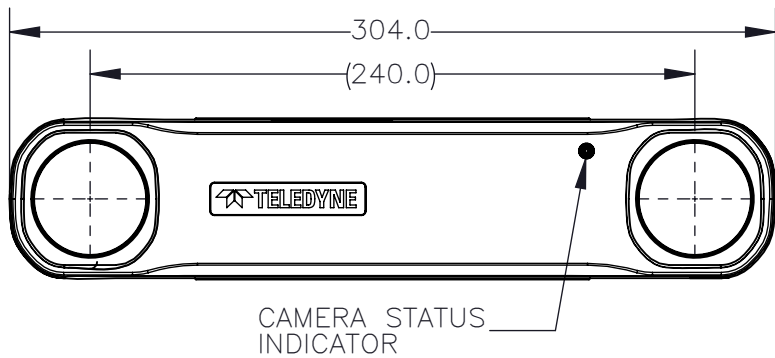
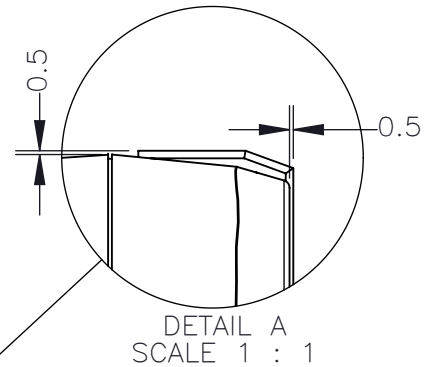
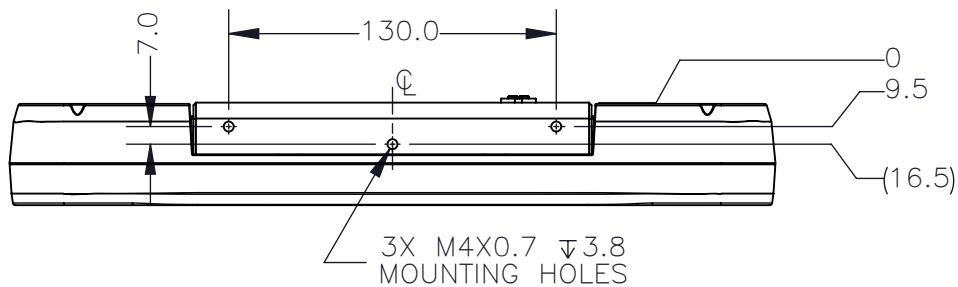


REVISIONS				
REV.	DESCRIPTION	DATE DONE	DONE BY	CHECKED BY
0	INITIAL RELEASE. COPY OF MECH-536-55-R0.	09.AUG.24	DAVID	THOMAS

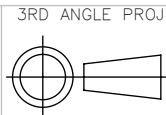


GPIO/EXT. POWER
12P CIRC. CONNECTOR
HRS LF10WBRB
IP67 WHEN MATED

PROTECTIVE CAP (HRS
LF10WBR-C2 OR EQUIVALENT)
IS NECESSARY FOR IP
SEALING WHEN NOT IN USE



PROPRIETARY AND CONFIDENTIAL
THE INFORMATION CONTAINED IN THIS DRAWING IS
THE SOLE PROPERTY OF FLIR INTEGRATED IMAGING
SOLUTIONS. ANY REPRODUCTION IN PART OR
WHOLE WITHOUT THE WRITTEN PERMISSION OF FLIR
INTEGRATED IMAGING SOLUTIONS IS PROHIBITED.

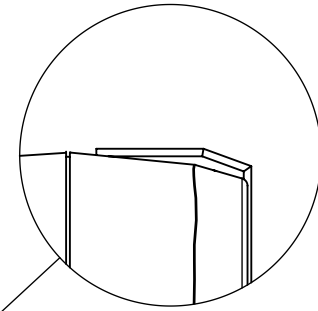
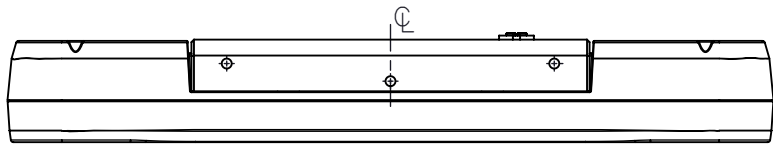


TOLERANCES
X.X \pm 0.3
X.XX \pm 0.10
X.XXX \pm 0.020
ANGLES \pm 0.5°

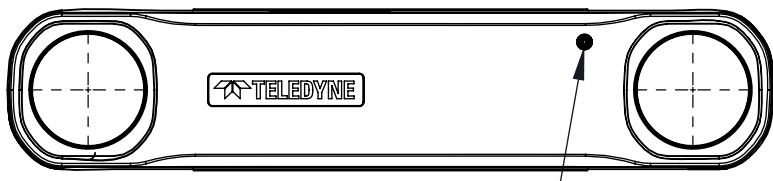
UNLESS OTHERWISE
STATED:
ALL DIMENSIONS IN MM
MACHINE FINISH 1.6 μ M

SCALE DWG NO
1:3 BBX-03-R0
SIZE TITLE
A BBX STEREO CAMERA - 120 FOV

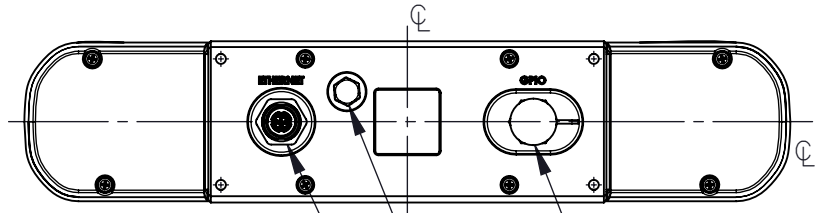
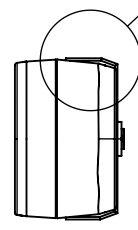
SHEET REV
1 OF 3 0



DETAIL B
SCALE 1 : 1



CAMERA STATUS INDICATOR

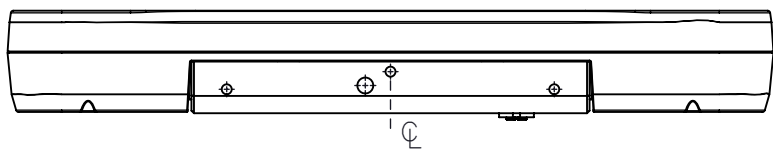


ETHERNET / POE
M12 8P X-CODED
IP67 WHEN UNMATED

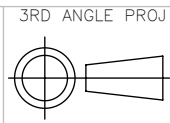
VENT
IP67 RATED

GPIO/EXT. POWER
12P CIRC. CONNECTOR
HRS LF10WBRB
IP67 WHEN MATED

PROTECTIVE CAP (HRS
LF10WBR-C2 OR EQUIVALENT)
IS NECESSARY FOR IP
SEALING WHEN NOT IN USE



PROPRIETARY AND CONFIDENTIAL
THE INFORMATION CONTAINED IN THIS DRAWING IS
THE SOLE PROPERTY OF FLIR INTEGRATED IMAGING
SOLUTIONS. ANY REPRODUCTION IN PART OR
WHOLE WITHOUT THE WRITTEN PERMISSION OF FLIR
INTEGRATED IMAGING SOLUTIONS IS PROHIBITED.



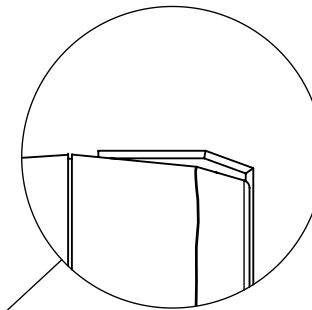
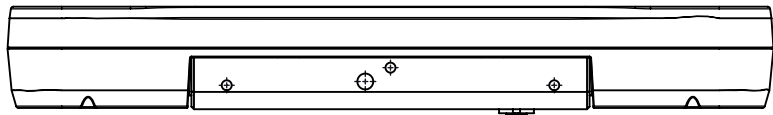
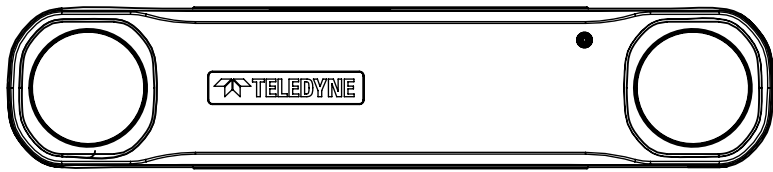
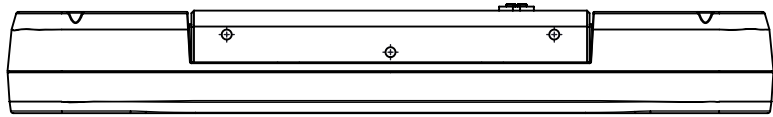
TOLERANCES	
X.X	±0.3
X.XX	±0.10
X.XXX	±0.020
ANGLES	±0.5°

UNLESS OTHERWISE
STATED:
ALL DIMENSIONS IN MM
MACHINE FINISH 1.6µM

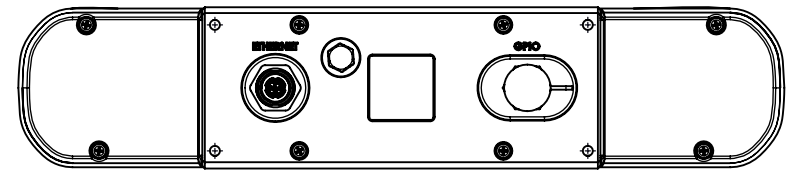
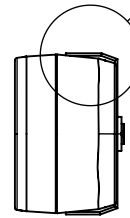
SCALE	DWG NO
1:3	BBX-03-R0

SIZE	TITLE
A	BBX STEREO CAMERA - 120 FOV

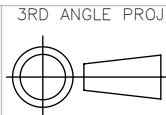
SHEET	REV
2 OF 3	0



DETAIL C
SCALE 1 : 1



PROPRIETARY AND CONFIDENTIAL
THE INFORMATION CONTAINED IN THIS DRAWING IS
THE SOLE PROPERTY OF FLIR INTEGRATED IMAGING
SOLUTIONS. ANY REPRODUCTION IN PART OR
WHOLE WITHOUT THE WRITTEN PERMISSION OF FLIR
INTEGRATED IMAGING SOLUTIONS IS PROHIBITED.



TOLERANCES
X.X ±0.3
X.XX ±0.10
X.XXX ±0.020
ANGLES ±0.5°

UNLESS OTHERWISE
STATED:
ALL DIMENSIONS IN MM
MACHINE FINISH 1.6µM

SCALE DWG NO
1:3 BBX-03-R0

SIZE TITLE
A BBX STEREO CAMERA - 120 FOV

SHEET REV
3 OF 3 0