

F

E

D

C

B

A

4

4

3

3

2

2

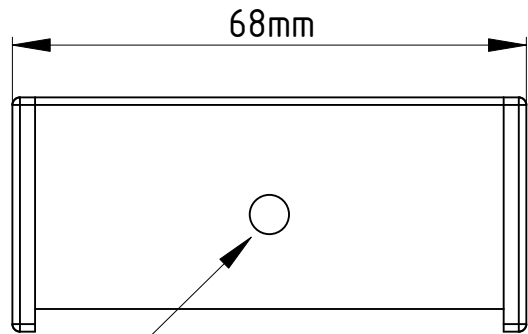
1

1

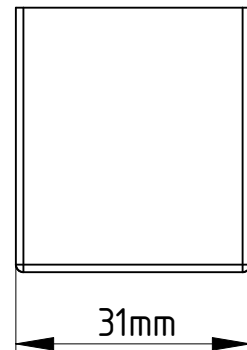
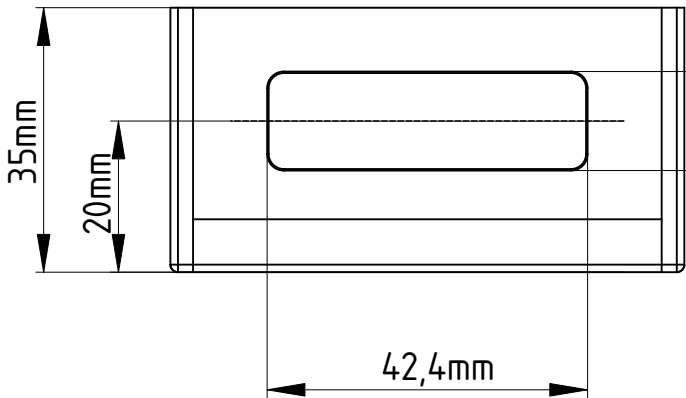
F


E

D



Ø5,6mm hole for M4 threaded insert



DESIGNED BY: J. Beckers		3D-4100		www.eureca.de		G	—	
DATE: 10.06.2023		Front part of camera housing				F	—	
SIZE A4						E	—	
SCALE 1:1						WEIGHT (kg)		DRAWING NUMBER V1.0
SCALE 1:1		WEIGHT (kg)		DRAWING NUMBER V1.0		C	—	
SCALE 1:1		WEIGHT (kg)		DRAWING NUMBER V1.0		B	—	
SCALE 1:1		WEIGHT (kg)		DRAWING NUMBER V1.0		A	—	
This drawing is our property; it can't be reproduced or communicated without our written consent.							A	—