

F

E

D

C

B

A

4

3

2

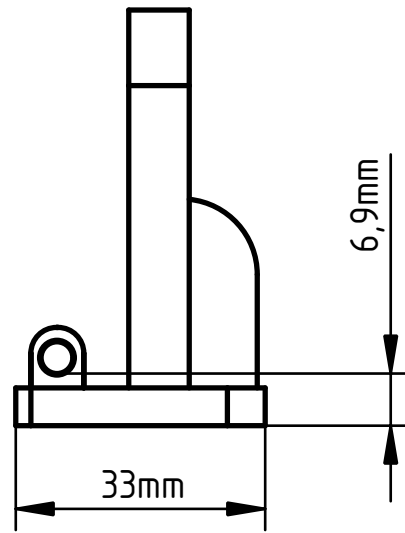
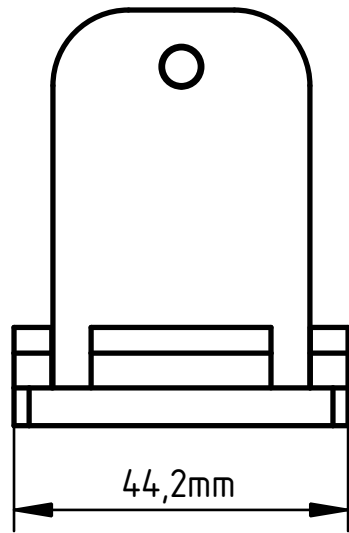
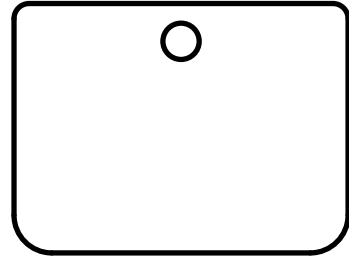
1

4

3

2

1



DESIGNED BY: J. Beckers		3D-2090		www.eureca.de		G	–	
DATE: 07.05.2023		Base plate for tilt holders				F	–	
SIZE A4						E	–	
SCALE 1:1						WEIGHT (kg)		DRAWING NUMBER V1.0
SCALE 1:1		WEIGHT (kg)		DRAWING NUMBER V1.0		C	–	
SCALE 1:1		WEIGHT (kg)		DRAWING NUMBER V1.0		B	–	
SCALE 1:1		WEIGHT (kg)		DRAWING NUMBER V1.0		A	–	
This drawing is our property; it can't be reproduced or communicated without our written consent.							A	–

F

E

D