

F

E

D

C

B

A

4

4

3

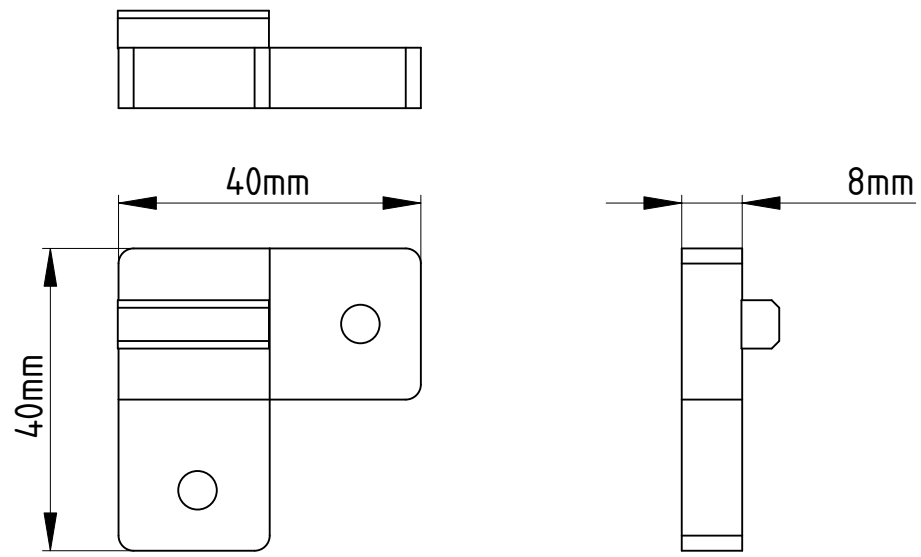
3


2

2

1

1



DESIGNED BY: J. Beckers		3D-1031		www.eureca.de		G	–	
DATE: 13.07.2023		Mounting block, version left				F	–	
SIZE A4						E	–	
SCALE 1:1						WEIGHT (kg)		DRAWING NUMBER V1.0
SCALE 1:1		WEIGHT (kg)		DRAWING NUMBER V1.0		C	–	
SCALE 1:1		WEIGHT (kg)		DRAWING NUMBER V1.0		B	–	
SCALE 1:1		WEIGHT (kg)		DRAWING NUMBER V1.0		A	–	
This drawing is our property; it can't be reproduced or communicated without our written consent.							A	–

F

E

D