

F

E

D

C

B

A

4

4

3

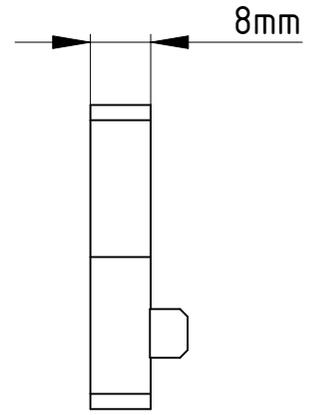
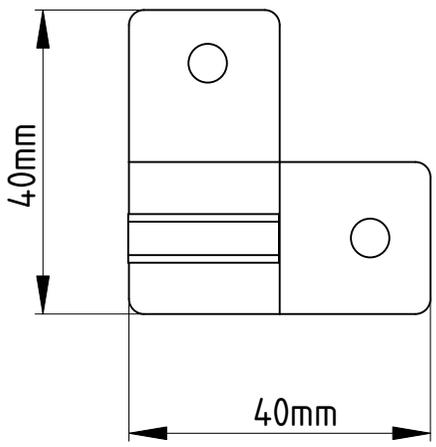
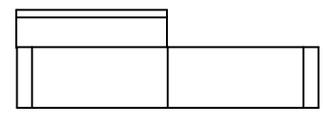
3

2

2

1

1



DESIGNED BY: J. Beckers		3D-1030	www.eureca.de	G	—
DATE: 13.07.2023		Mounting block		F	—
SIZE A4				E	—
SCALE 1:1	WEIGHT (kg)	DRAWING NUMBER V1.0	SHEET 1/1	D	—
This drawing is our property; it can't be reproduced or communicated without our written consent.				C	—
				B	—
				A	—

F

E

D