

RICOH

12mm 1:1.4



0.1

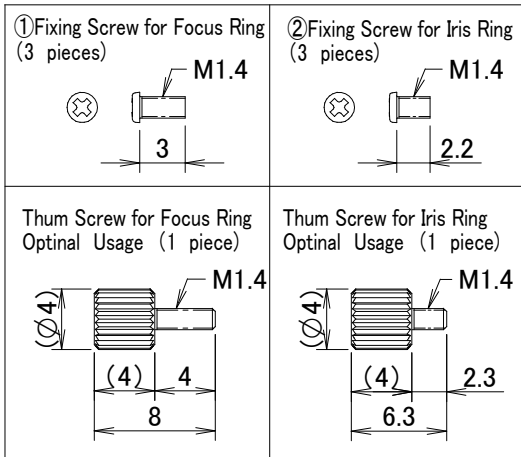
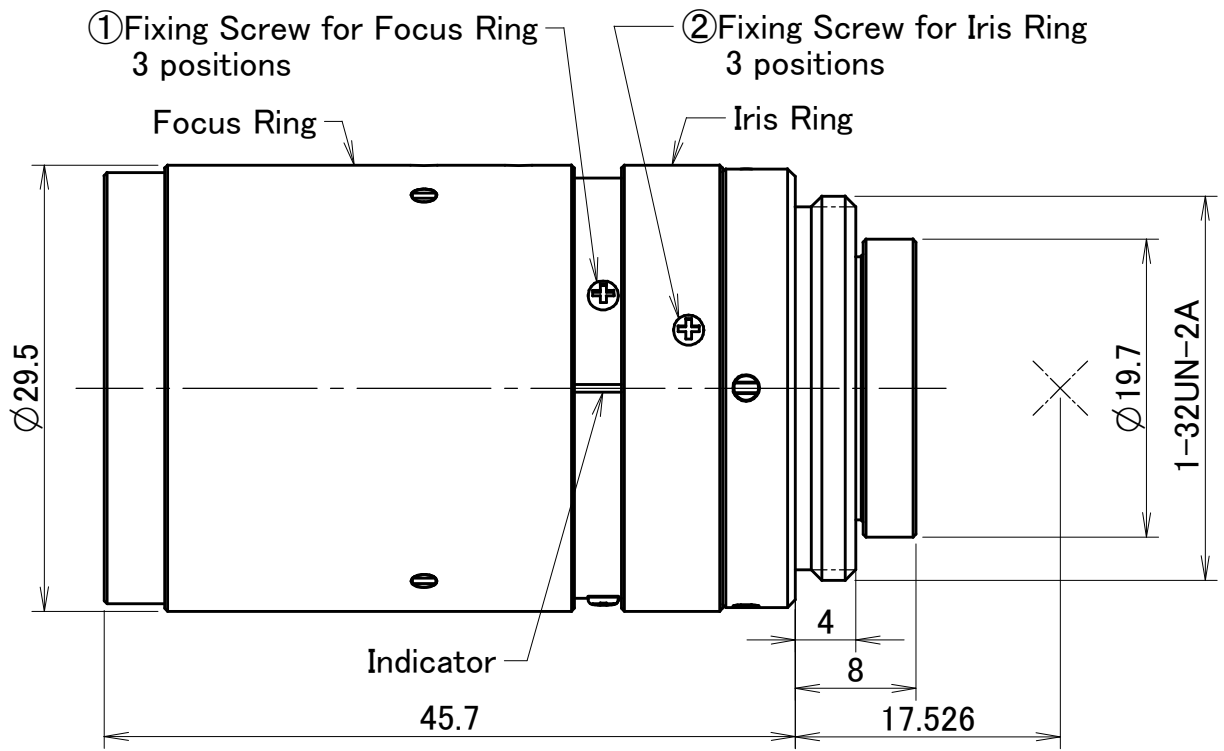
m



Ser. No.

16J-8-4-2 1.4 FL-CC1214A-2M

Indicator



SPEC. SHEET	FL-CC1214A-2M
	K65084-X001-B44
RICOH	Oct.10.2013