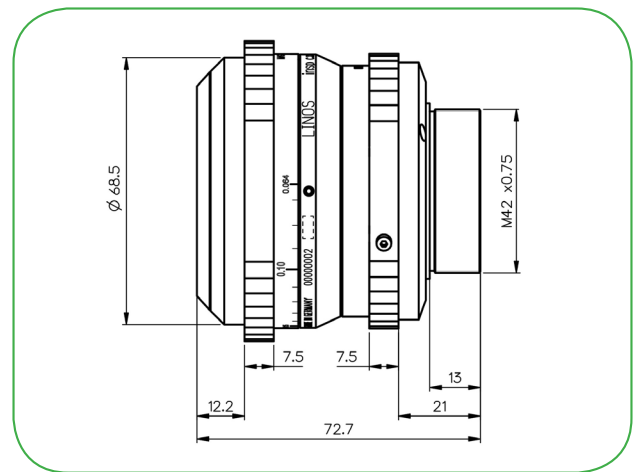


# Inspection Lens for Variable Magnification

## inspec.x L 5.6/120 float

### Optical parameters

- Focal length 122 mm
- Apertur 5.6 ... 16
- Magnification range: 0.06 ... 0.52
- Optimal for 12k and 16k sensors
- Designed for pixel size of 5  $\mu\text{m}$
- Large image circle of 82 mm
- Working distance 302 ... 2037 mm
- Spectral range: 400 - 750 nm
- MTF (image side) > 45% @ 72 Lp/mm at a magnification of 0.14x (f/7.8) (design value)



inspec.x L 5.6/120 float

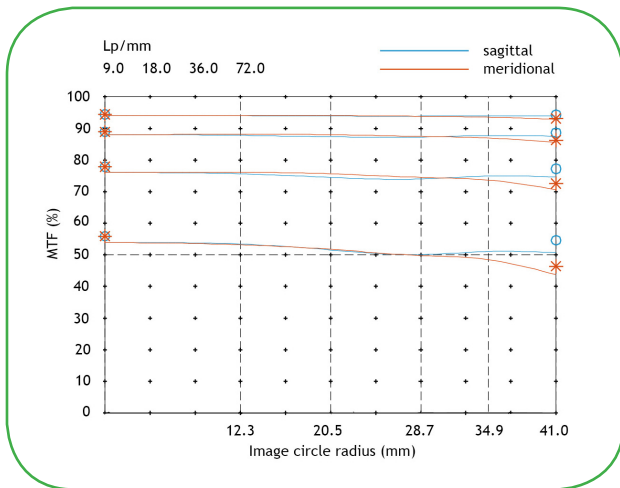
### Mechanical parameters

- Stable floating element
- Aperture adjustable
- With toothed belt rings for magnification and aperture settings
- Mounting thread M42x0.75
- Filter thread M52x0.75
- All metal barrel
- Lens adapter 2408-009-173-00 for the Modular Focus System available

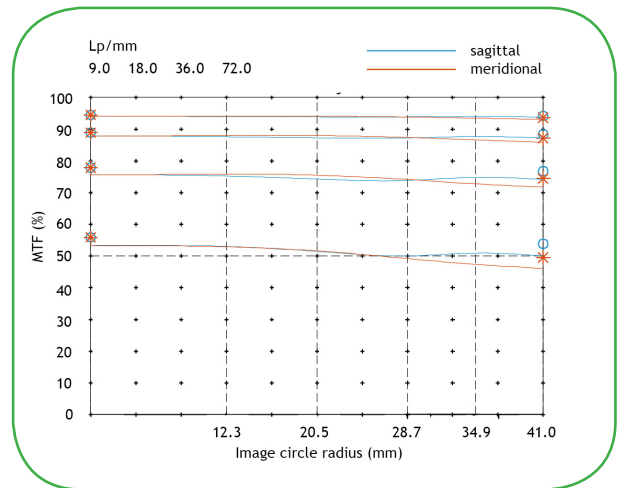


## Inspection Lens inspec.x L 5.6/120 float

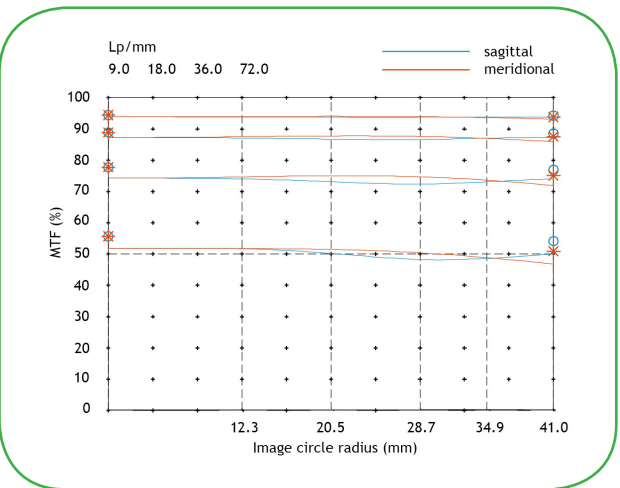
Product	Focal length (mm)	F-number	Magnification range	Image Circle (mm)	Interface	Part No.
inspec.x L 5.6/120	122	5.6	0.06 ... 0.52	82	M42x0.75	0703-116-000-21



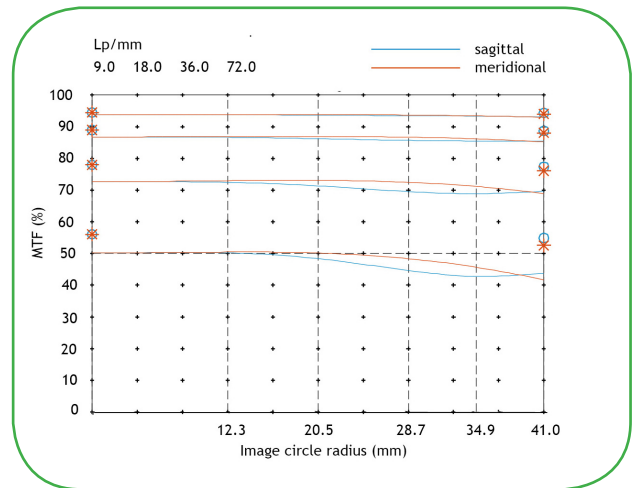
MTF at ratio 0.06x f/8.4



MTF at ratio 0.14 f/7.8



MTF at ratio 0.3x f/6.9



MTF at ratio 0.52x f/5.6

### Contact us today

inspection@excelitas.com

Europe +49 (0)551 6935-0

North America (+1) 800 429 0257

Asia/Pacific +65 64 99 7777

www.excelitas.com

**EXCELITAS**  
TECHNOLOGIES®