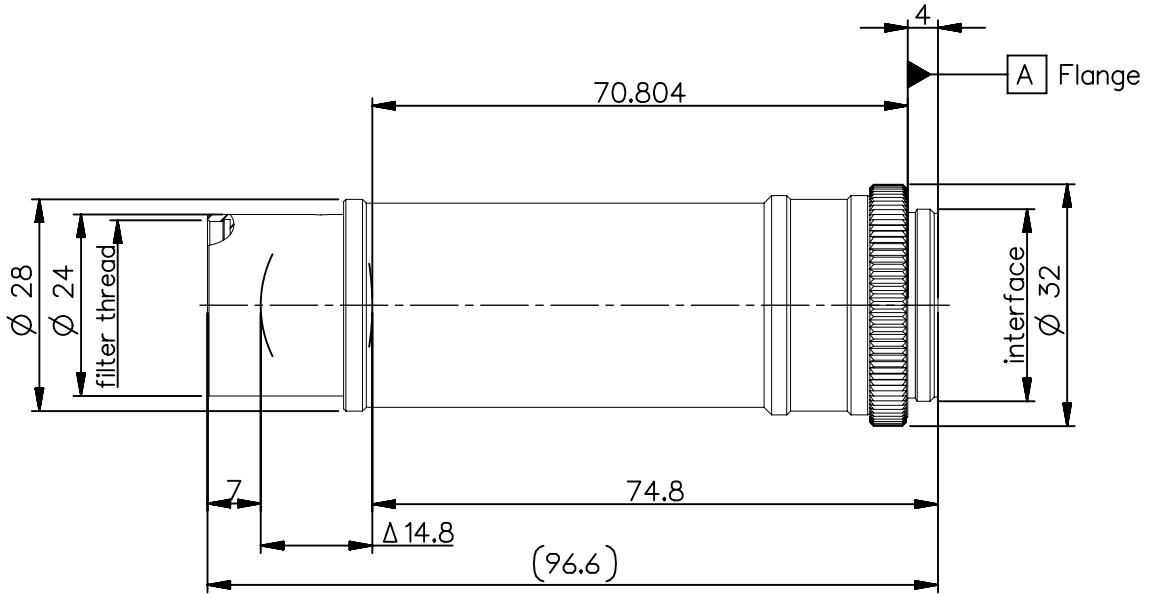


order number	lens name	f-stop
0009-192-000-41	Macro-CCD-Lens -1x 4	4
0009-192-000-42	Macro-CCD-Lens -1x 5.6	5.6



Specification		ON			
image circle max. (mm)	11	working distance (mm)	90		
focal length $f'$ (mm) *	50.0	interface	C-mount		
magnification $\beta'$ [range]	-1	filter thread	M22.5 x0.5		
spectral range $\lambda$ (nm)	400 - 750	weight (g)	70		
schematic diagram		*) in air			
		design includes CCD cover glass: no			
		SF (mm)	-52.6	f-stop	
		S'F' (mm) *	43.8	$\varnothing$ EnP	
		HH' (mm) *	5.9	$\varnothing$ Exp	
		SH (mm)	-2.6		
		S'H' (mm) *	-11.5		
		SEEnP (mm)			
S'Exp (mm) *					

NX	EU-D		AL-T1A		US-D		US-ML		not export controlled		
	PDM Status		Freigabe						-		
	REV	ECC	DATE	APPROVED	GENERAL TOLERANCE OF DIMENSION, FORM, POS.	SURF. TREATMT	SCALE 1:1				
	a	Neuausg	17.09.14	Schiffe			MATERIAL				
BASIC TOLERANCING PRINCIPLE						TITLE					
						Macro-CCD-Lens -1x					
FIRST						DATE		NAME			
ISSUE						17.09.14		Schifferer			
CHKD						17.09.14		Stauder			
DIN A 4						DRAWING NO.		0009-192-100-00-0001e		SHEET 1 OF 1	
ALL DIMENSIONS ARE IN MM AND INCLUDE SURFACE TREATMENT						REPLACES					

