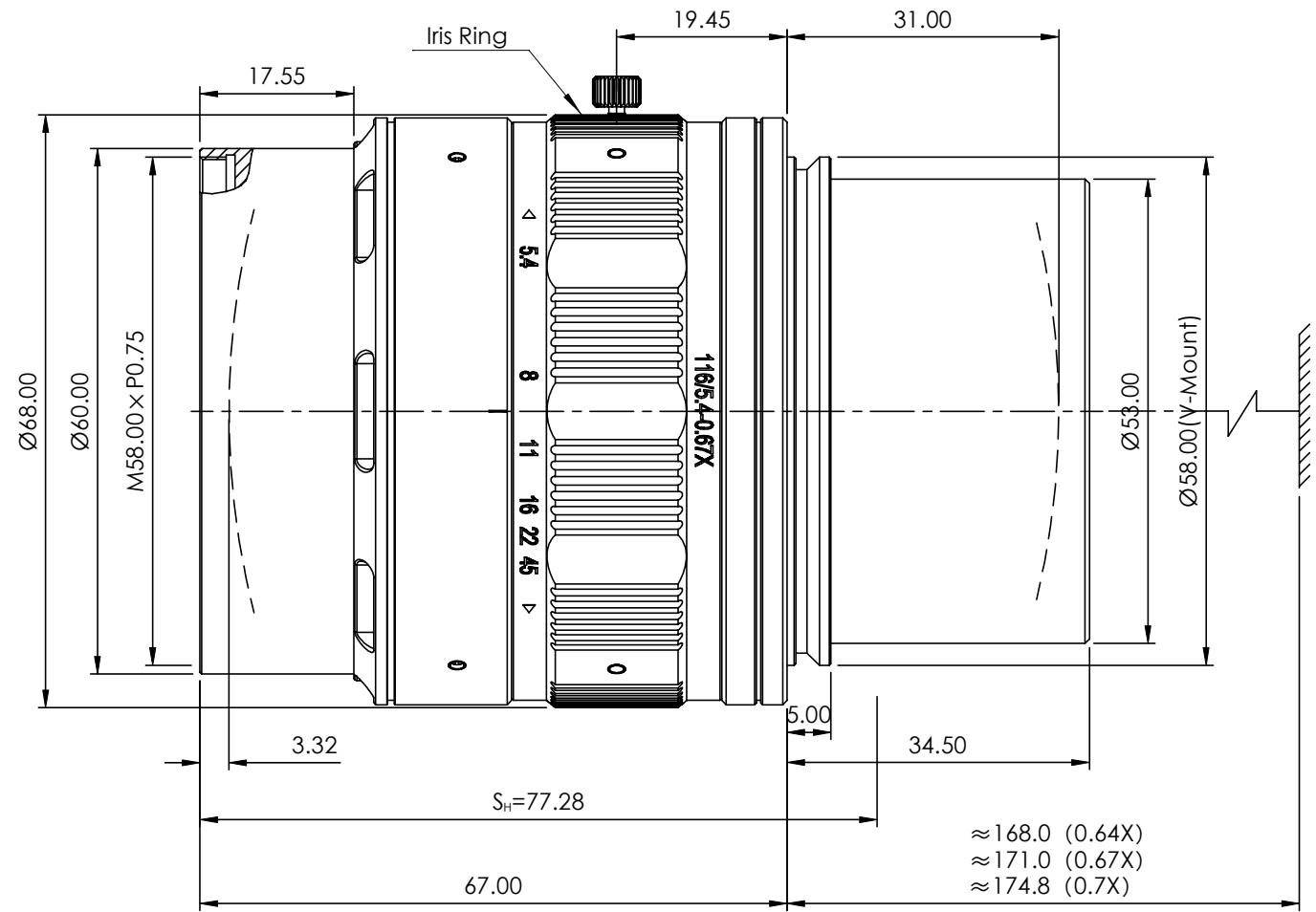


A		B		C		D	
Optical Specification							
Model	116/5.4-0.67X-V1.0						
Focal Length(mm)	116						
F NO.	F5.4-F45						
Image Circle(mm)	63						
Mount	V58						
Weight	0.68kg						
Size(mm)	Ø68.00 × 67.00						
Filter(mm)	M58 × P0.75						
Working Temperature	-20°C ~ 60°C						
Distortion	0.023%	0.018%	0.058%				
Magnification	0.64X	0.67X	0.7X				
Working Distance(mm)	219.58	212.58	204.38				
Flange Back Length (mm)	168	171	174.8				
O/I Distance(mm)	454.6	450.6	446.2				

unit:mm



A		B		C		D		
View Angle				Remark		Item	Signature	Date
Standard Difference						Drawing		
IT14						Design		
						Check		
						Approve		
						Paper Size	A4	
Drawing Code						Revised Date	2018-12-08	Scale
							Page	1/1 Total Page
							Version	A01
116/5.4-0.67X-V1.0								