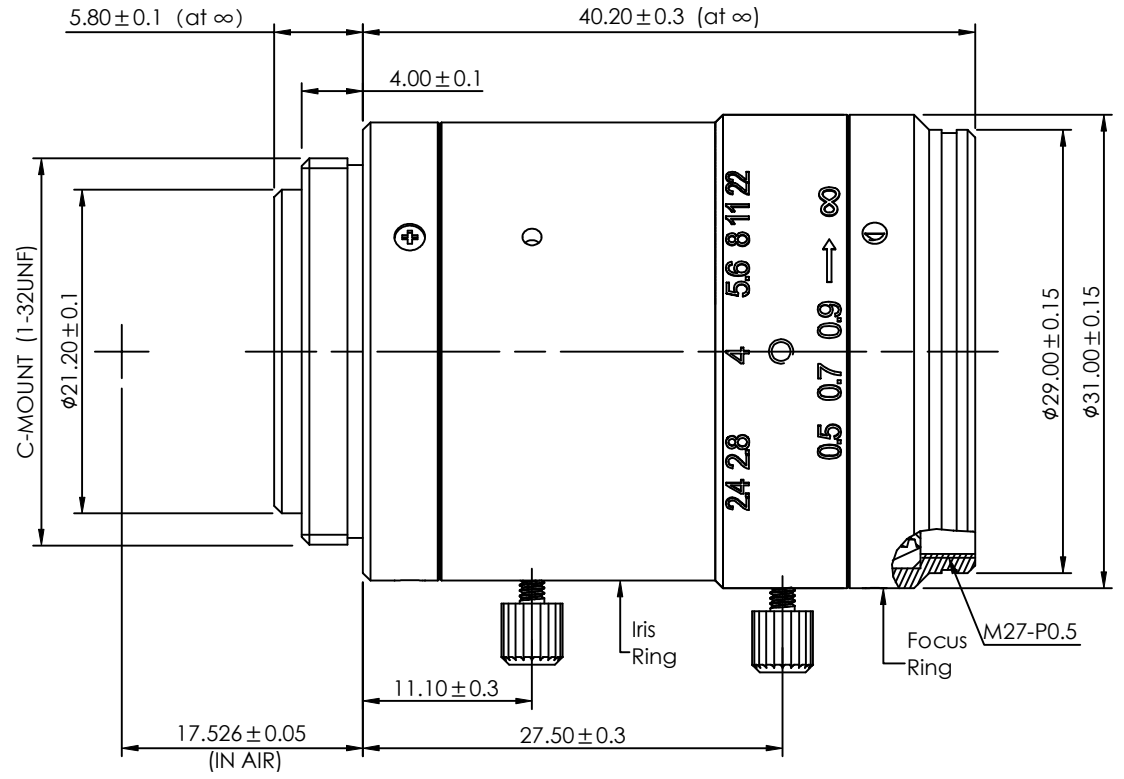


A		B	C	D
Optical Specification				
Model	OPT-C5024-2M-V1.1			
Resolution	2M Pixel			
Mount	C Mount			
Sensor	2/3"			
Focal Length	50mm			
Pixel Size	5 μm			
Adjustion Type	Manual			
F NO.	F2.4-F22			
Field Angle	2/3" (Diagonal)	12.5°		
	2/3" (Horizontal)	10°		
	2/3" (Vertical)	7.6°		
	1/2" (Diagonal)	9.2°		
	1/2" (Horizontal)	7.3°		
	1/2" (Vertical)	5.5°		
Distortion	< 0.1%			
Back Focal Length	15mm			
Size	Ø31 × 40.2mm			
Filter	M27 × 0.5			
Working Temperature	-20°C ~ +60°C			



View Angle			Remark	Item	Signature	Date	OPT Machine Vision Co.,Ltd.				
Standard Difference				Drawing							
Copyright © 2011 by OPT All Rights Reserved		IT14		Design			OPT-C5024-2M-V1.1				
Drawing Code				KDBZ20171121K05004	Check						
				Approve			Scale	1:1	Page	1/1 Total Page	Version
				Paper Size	A4						
				Revised Date	2017-10-14						