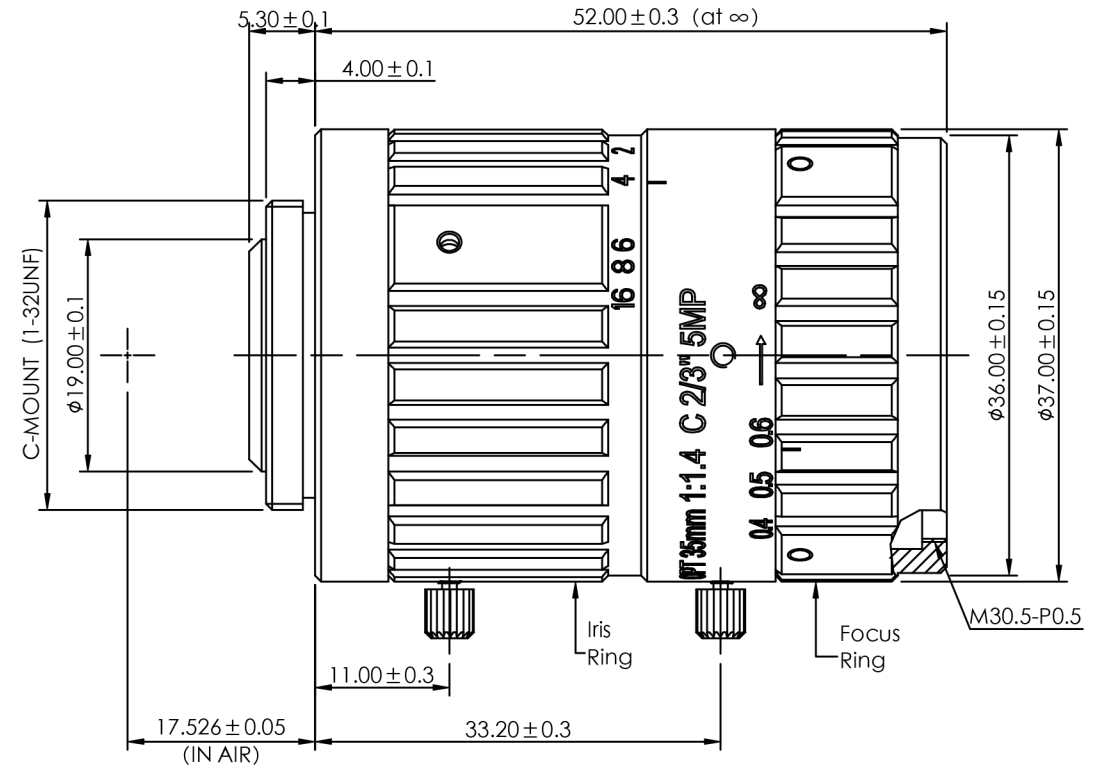



Optical Specification		
Model	OPT-C3514-5M-IR	
Resolution	5M Pixel	
Mount	C Mount	
Sensor	2/3"	
Focal Length	35mm	
Pixel Size	3.45μm	
Adjustment Type	Manual	
F NO.	F1.4-F16	
Field Angle	2/3" (Diagonal)	18°
	2/3" (Horizontal)	14.4°
	2/3" (Vertical)	10.8
	1/2" (Diagonal)	13.2°
	1/2" (Horizontal)	10.6°
	1/2" (Vertical)	8°
Distortion	< 0.1%	
Back Focal Length	12.75mm	
Size	∅37 × 52mm	
Filter	M30.5 × 0.5	
Working Temperature	-20°C ~ +60°C	



View Angle	
Standard Difference	
Copyright © 2011 by OPT All Rights Reserved	IT14
Drawing Code	KDFB20171012K03001

Item	Signature	Date
Drawing		
Design		
Check		
Approve		
Paper Size	A4	
Revised Date	2017-10-14	


**OPT Machine Vision Co., Ltd.**

OPT-C3514-5M-IR

Scale	1:1	Page	1/1 Total Page	Version	V1.1.1
-------	-----	------	----------------	---------	--------