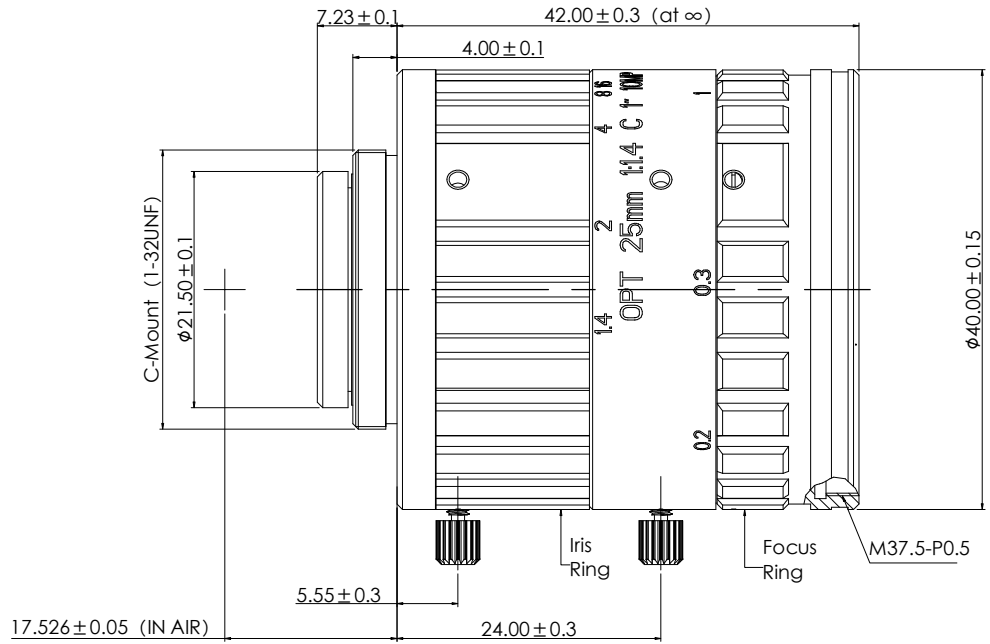



A		B		C		D	
Optical Specification							
Model		OPT-C2514-10M-V1.0					
Resolution		10M Pixels					
Mount		C Mount					
Sensor		1"					
Focal Length		25					
Working Distance		200~∞					
Adjustment Type		Manual					
F NO.		F1.4-F16					
Field Angle (D×H×V)	2/3"	24.9° x20.1° x15.4°					
	1"	36° x28.9° x21.9°					
Distortion		< 0.3%					
Back Focal Length		10.8					
Size		∅40×42					
Filter		M37.5×P0.5					
Working Temperature		-20°C~60°C					



View Angle		
Standard Difference		
Copyright © 2011 by OPT All Rights Reserved		IT14
Drawing Code	KDPA20171117K04007	

Item	Signature	Date
Drawing		
Design		
Check		
Approve		
Paper Size	A4	
Revised Date	2017-11-17	


**OPT Machine Vision Co.,Ltd.**

OPT-C2514-10M-V1.0

Scale	3:2	Page	1/1 Total Page	Version
-------	-----	------	----------------	---------