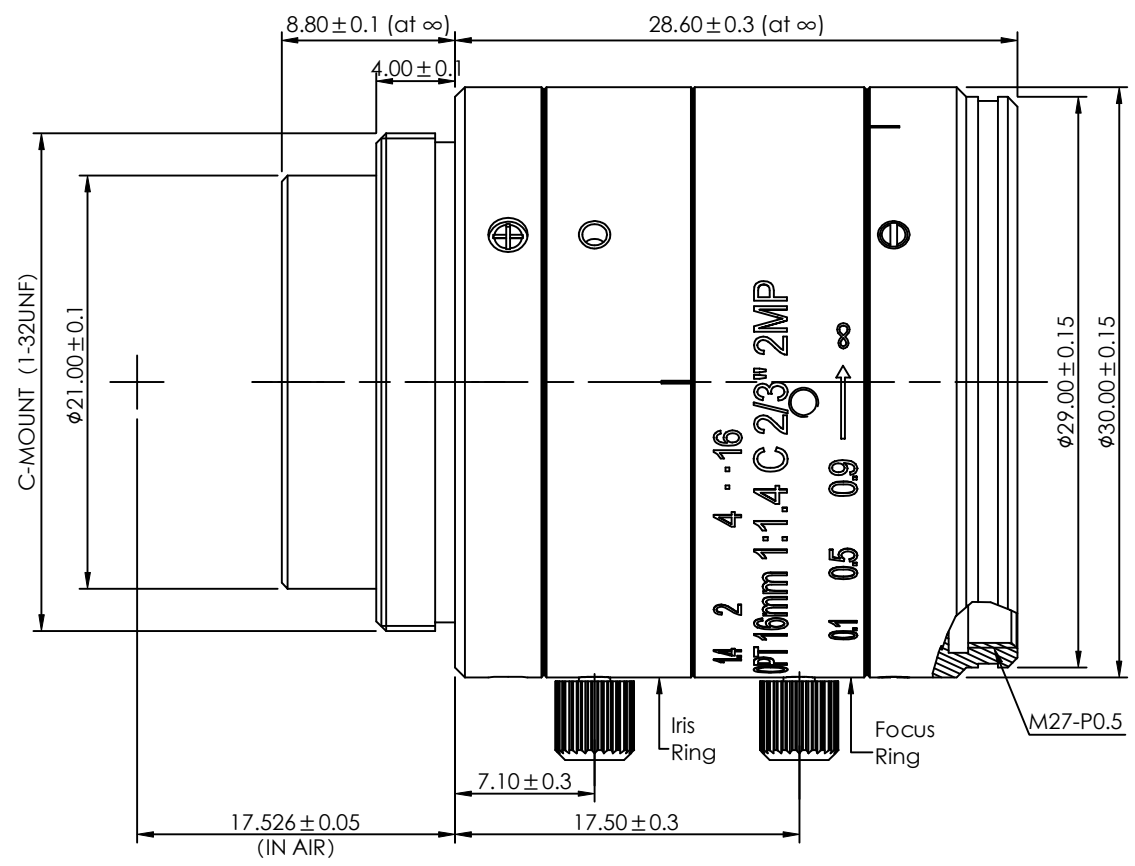


A		B	C	D
Optical Specification				
Model	OPT-C1614-2M-V2.0			
Resolution	2M Pixel			
Mount	C Mount			
Sensor	2/3"			
Focal Length	16mm			
Pixel Size	5 μm			
Adjustion Type	Manual			
F NO.	F1.4-F16			
Field Angle	2/3" (Diagonal)	38.5°		
	2/3" (Horizontal)	31°		
	2/3" (Vertical)	23.4°		
	1/2" (Diagonal)	28.1°		
	1/2" (Horizontal)	22.6°		
	1/2" (Vertical)	16.8°		
Distortion	< 2.4%			
Back Focal Length	9.53mm			
Size	Ø30 × 28.6mm			
Filter	M27 × 0.5			
Working Temperature	-20°C ~ +60°C			



View Angle		Remark	Item	Signature	Date
Standard Difference			Drawing		
			Design		
			Check		
			Approve		
			Paper Size	A4	
			Revised Date	2017-10-14	

Copyright © 2011 by OPT All Rights Reserved	IT14	<b>OPT Machine Vision Co.,Ltd.</b>			
Drawing Code	KDBZ20171121K05001				

OPT-C1614-2M-V2.0		Scale	1:1	Page	1/1 Total Page	Version
-------------------	--	-------	-----	------	----------------	---------