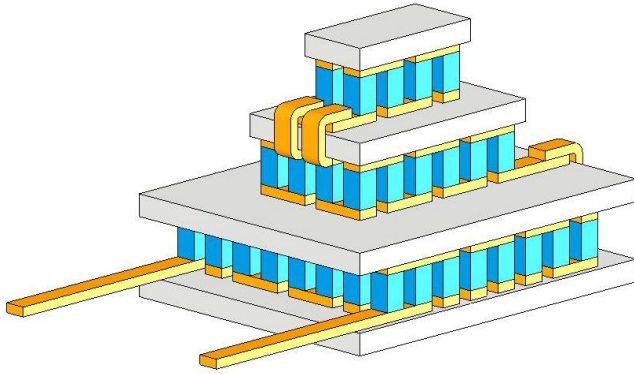
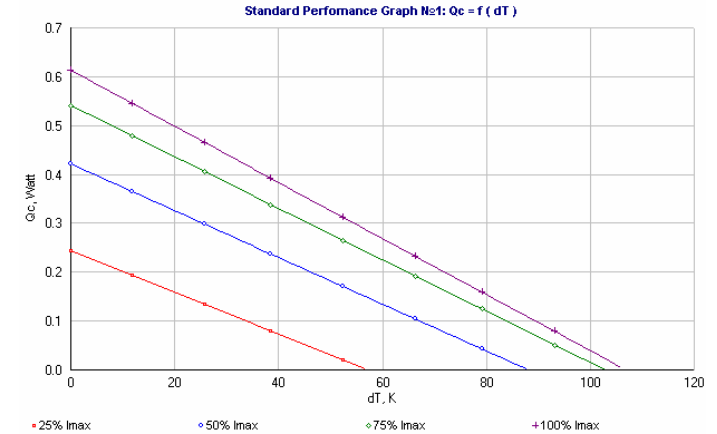


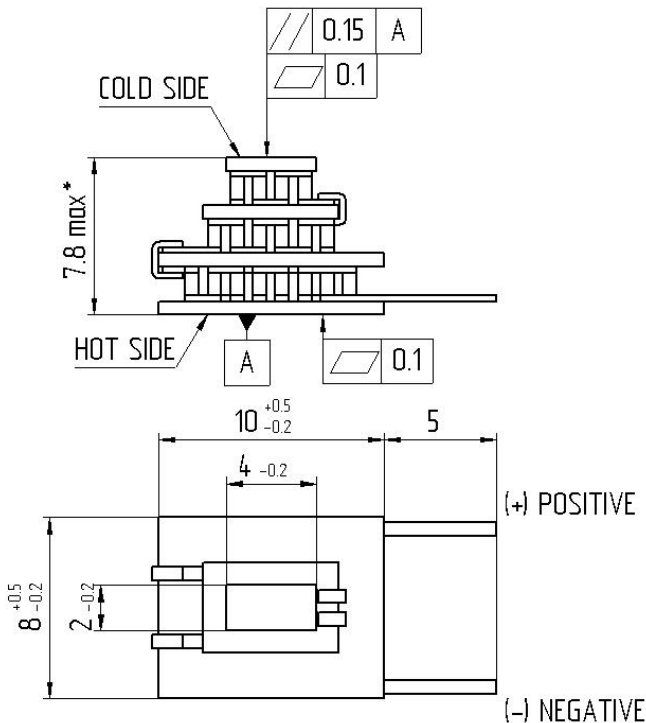
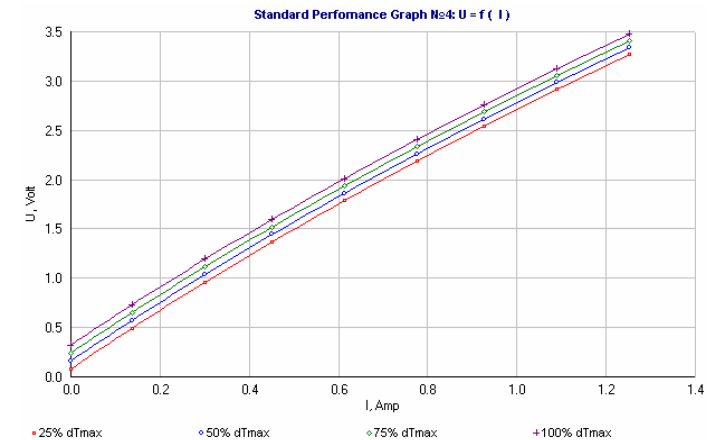
SPECIFICATION OF THERMOELECTRIC MODULE TB-3-(31-11-4)-1.0


Thermoelectric parameters	Unit	Value
I_{max}	Amps	1,3
U_{max}	Volts	3,5
ΔT_{max}	K	107
R_{ac}	Ohm	3,6
Q_{max}	Watts	0,6
Tolerance	%	±10

All parameters except R_{ac} are given at Th=300 K



Assembly parameters	Unit	Value
Wires	-	-
Cross section	mm²	-
Metallization	-	Not
Sealing	-	Not
Internal solder	°C	139
Brazing solder	°C	not



*Tolerance of the TEC's height for a lot is ±0.35 mm

Operation parameters	Unit	Value
Working temperature range	°C	-50 ÷ +80
Max. processing temperature	°C	120
ROHS compliance	-	YES