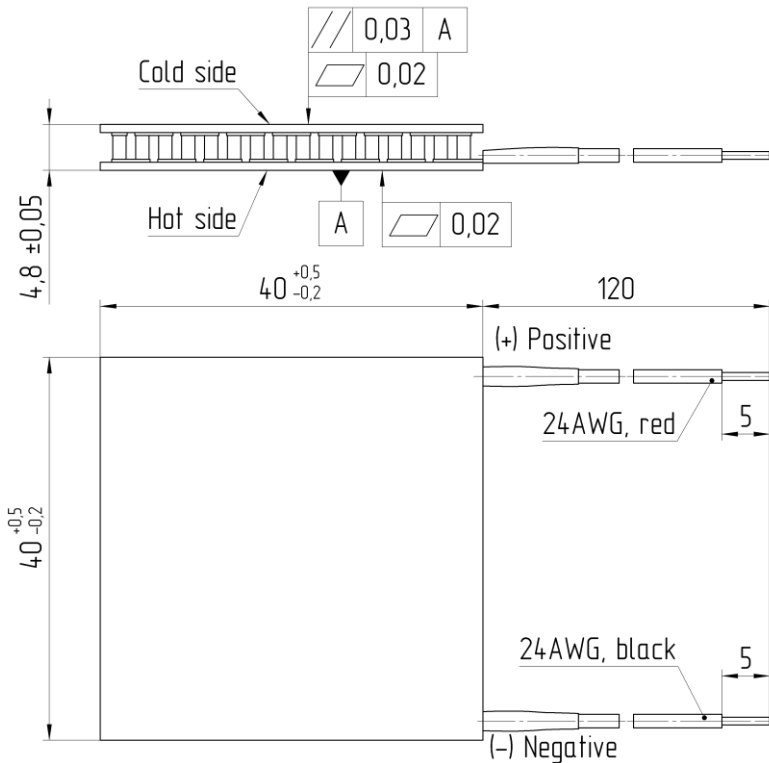
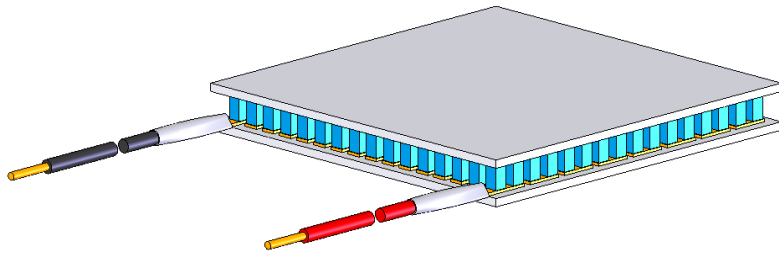


SPECIFICATION OF THERMOELECTRIC MODULE LCB-127-1.4-2.5


<i>Thermoelectric parameters</i>	<i>Unit</i>	<i>Value</i>
I_{max}	A	3.7
U_{max}	V	16.3
ΔT_{max}	K	72
Q_{max}	W	37.4
R_{ac} (at 295 K)	Ohm	3.2
Tolerance	%	±10

All parameters except R_{ac} are given at Th=300 K

<i>Assembly parameters</i>	<i>Unit</i>	<i>Value</i>
Wires	24 AWG	
Cross section	mm²	0.20
Metallization	Not	
Sealing	Not	
Internal solder	°C	139
Brazing solder	°C	Not

<i>Operation parameters</i>	<i>Unit</i>	<i>Value</i>
Working temperature range	°C	-50 ÷ +80
Max. processing temperature	°C	120
ROHS compliance		YES