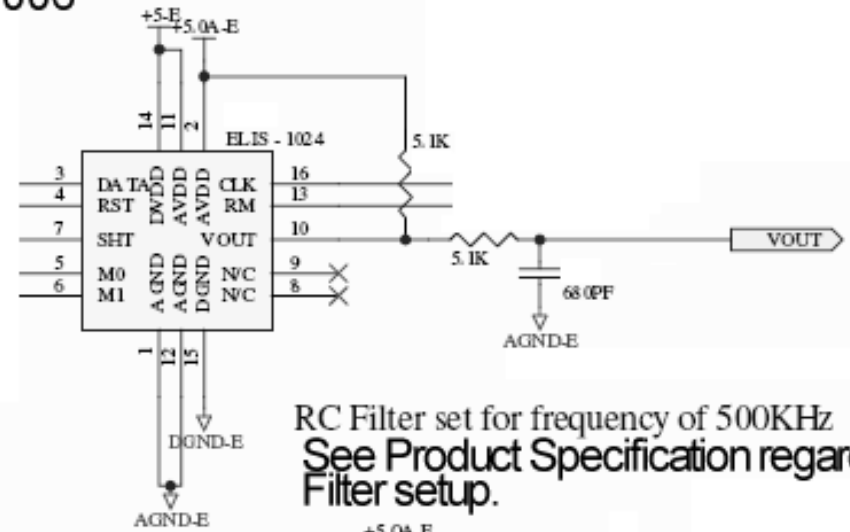
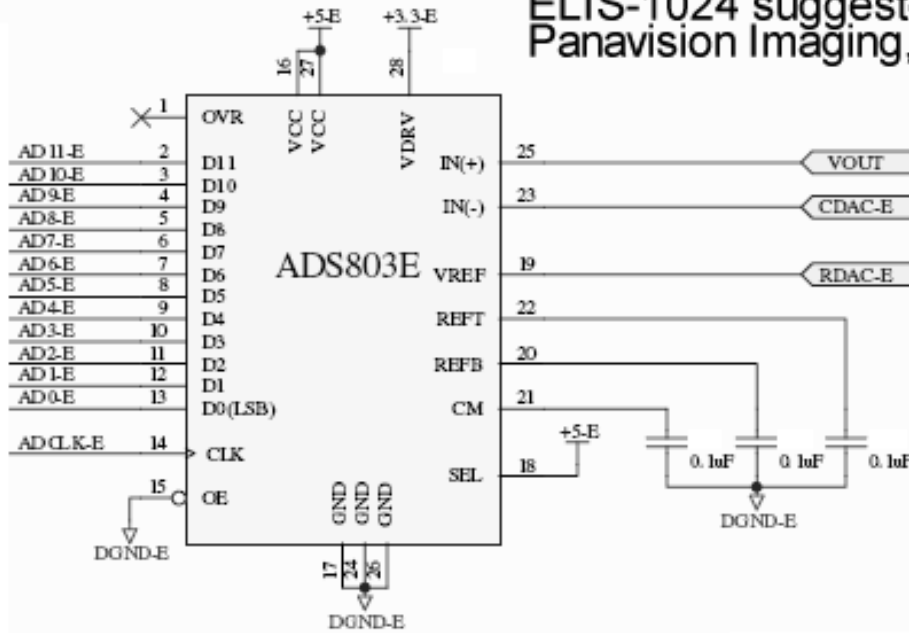


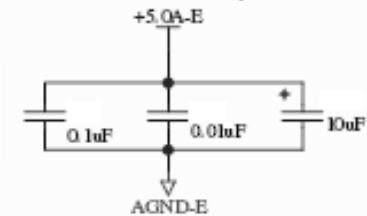
# ELIS-1024 suggested Schematic

Panavision Imaging, LLC, 2006

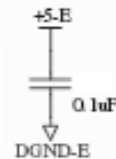


RC Filter set for frequency of 500KHz  
See Product Specification regarding Filter setup.

Note: These capacitors must be placed as close to pins 1 and 2 of the ELIS sensor as possible



Note: This capacitor must be placed as close to pins 14 and 15 of the ELIS sensor as possible



Note: These capacitors must be placed as close to pins 11 and 12 of the ELIS sensor as possible

