

Carl Zeiss SLR Lenses

Planar T* 1,4/85

The Concentrated View

This short telephoto is a classic portrait focal length which is further enhanced by the long barrel rotation for precise control of the focus point in the image. The **Planar T* 1,4/85** is optimized for medium to longer distances and provides distortion-free performance, which only improves as the lens is stopped down. The fast f/1.4 aperture is very useful for creatively controlling the depth of field and the nearly circular diaphragm creates a pleasing 'bokeh' in the out-of-focus areas. Combined with a DSLR with a 1.5 crop factor, the lens becomes a focal length of 128 mm.



Picture shows ZE mount

Planar T* 1,4/85



We make it visible.



- 1** The shallow depth of field at full aperture provides superior control and allows the subject to be separated from the back- and foreground.
- 2** The precise focusing mechanism focuses the attention on the subject matter.
- 3** The lens design produces brilliant, distortion-free images over the entire frame.

Photo: Michael Ankenbrand

The Concentrated View

Technical Specifications

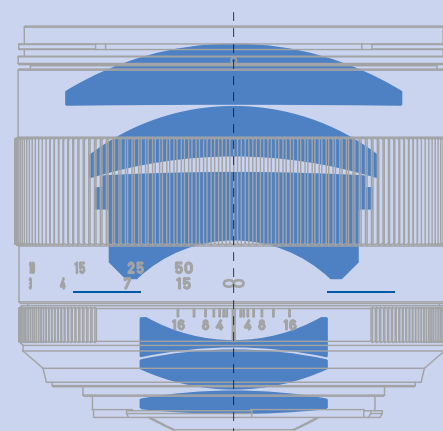
Planar T* 1,4/85

Focal length	85 mm
Aperture range	f/1.4 – f/16 (1/2 stop intervals)
Number of elements/groups	6/5
Focusing range	1 m (3.3 ft) – ∞
Angular field* (diag./horiz./vert.)	29/24/16°
Coverage at close range	36 x 24 cm (14 x 9.4")
Image ratio at close range	1:10
Filter-thread	M 72 x 0.75
Length (with caps)**	85 - 88 mm (3.3 - 3.5")
Diameter**	77 - 78.2 mm (3 - 3.1")
Weight**	600 - 670 g (21 - 24 oz.)
Camera mounts	ZE (EF bayonet) ZF.2 (F bayonet with CPU) ZF (F bayonet) ZK (K bayonet)
Scope of delivery	Lens Shade included

*referring to 35 mm format

**dimensions and weight may vary according to the camera mount

Construction



Carl Zeiss AG
Camera Lens Division
 D-73446 Oberkochen · Germany
www.zeiss.com/photo

EN_10_022_101 III • Printed in Germany
 Subject to change.