

Carl Zeiss SLR Lenses

Distagon T* 2/28

The Famous High-speed Artist

This moderate wide-angle lens is based on the renowned Distagon design of the 1980s for the Contax system. The modern **Distagon T* 2/28** has been optimized with current, higher performing and eco-friendly glass and incorporates a floating lens element design to optimize image quality across the entire focusing range. A compact lens for its speed, the fast f/2 aperture allows for hand-held photography under difficult lighting conditions and is well-suited for landscape, nature and commercial photography. Combined with a DSLR with a 1.5 crop factor, the lens has an effective focal length of 42 mm.



Picture shows ZE mount



Distagon T* 2/28



ZE ZF.2 ZF ZK



We make it visible.



1 Takes captivating wide-angle pictures, even under difficult lighting conditions.

2 The integrated floating elements design ensures consistent performance at any distance.

3 Optimal control of glare and stray light ensures brilliant and brightly colored images.

Photo: Sabine Unterderweide

The Famous High-speed Artist

Technical Specifications

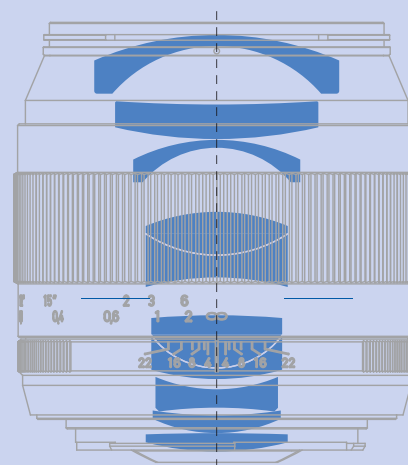
Distagon T* 2/28

| | |
|--|--|
| Focal length | 28 mm |
| Aperture range | f/2 – f/22 (1/2 stop intervals) |
| Number of elements/groups | 10/8 |
| Focusing range | 0.24 m (0.79 ft) – ∞ |
| Angular field* (diag./horiz./vert.) | 74/65/45° |
| Coverage at close range | 18 x 12 cm (7.1 x 4.7") |
| Image ratio at close range | 1:4.7 |
| Filter-thread | M 58 x 0.75 |
| Length (with caps)** | 93 - 96 mm (3.7 - 3.8") |
| Diameter** | 64 - 72.4 mm (2.5 - 2.6") |
| Weight** | 520 - 580 g (18 - 20 oz.) |
| Camera mounts | ZE (EF bayonet) ZF.2 (F bayonet with CPU) ZF (F bayonet) ZK (K bayonet) |
| Scope of delivery | Lens Shade included |

*referring to 35 mm format

**dimensions and weight may vary according to the camera mount

Construction



Carl Zeiss AG
Camera Lens Division
 D-73446 Oberkochen · Germany
www.zeiss.com/photo

EN_10_022_105 III • Printed in Germany
 Subject to change.