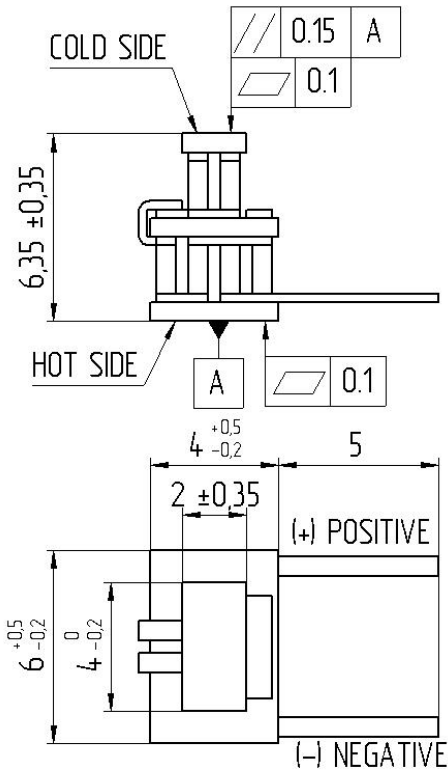
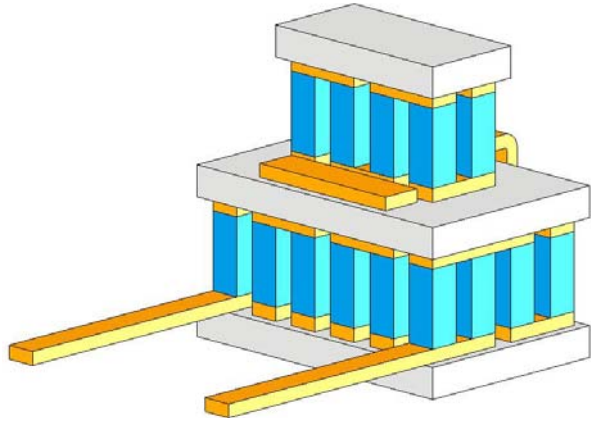


SPECIFICATION OF THERMOELECTRIC MODULE TB-2-(11-4)-1.5


Thermoelectrical parameters	Unit	Value
I_{max}	Amps	1.0
U_{max}	Volts	1.3
ΔT_{max}	K	93
Q_{max}	Watts	0.4
Tolerance	%	±10
<i>All parameters except R_{ac} are given at Th=300 K</i>		

Assembly parameters	Unit	Value
Wires	-	-
Cross section	mm²	-
Metallization	-	Not
Sealing	-	Not
Internal solder	°C	139
Brazing solder	°C	not

Operational parameters	Unit	Value
Working temperature range	°C	-50 ÷ +80
Max. processing temperature	°C	130
ROHS compliance	-	YES

