

6X 8.0~48 mm F1.2
for 1/2" format camera
C-Mount

with Preset

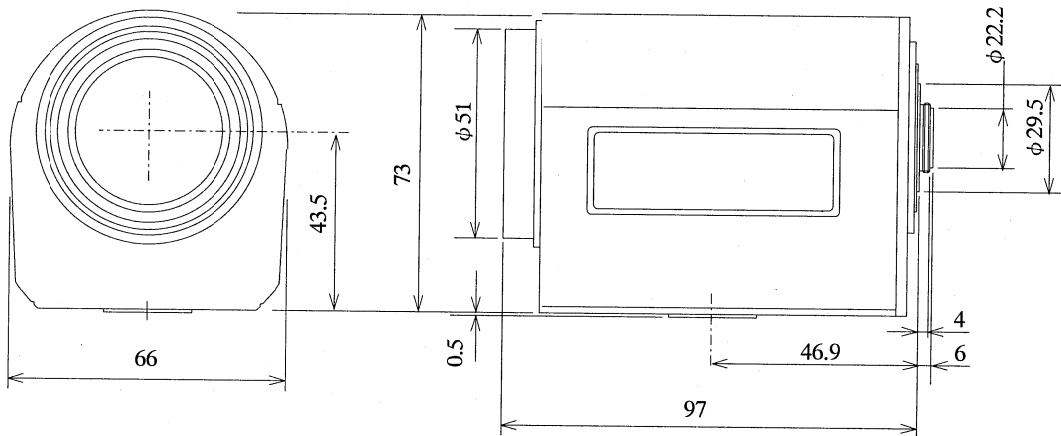
Model No.	H6Z0812MP		Effective	Front	φ 39.2 mm
Focal Length	8.0~48 mm		Lens Aperture	Rear	φ 16.6 mm
Max. Aperture Ratio	1:1.2		Back Focal Length	11.4 mm	
Max. Image Format	6.4×4.8 mm (φ 8 mm)		Flange Back Length	17.526 mm	
Operation	Iris	Motorized, F1.2~16C	Mount	C-Mount	
	Focus	Motorized, Preset, 1.2m~Inf.	Filter Size	M49x0.75 mm	
	Zoom	Motorized, Preset, 8.0~48 mm	Tripod Screw	1/4"-20 UNC	
Object Dimension	8.0 mm	98.4 x 72.2 cm	Dimension	W66 x H73.5 x D97 mm	
	at M.O.D. 48 mm	16.8 x 12.8 cm		Weight	440 g
Angle of View	D	55.8° ~ 9.9°	1/3"	41.8° ~ 7.5°	
	H	44.6° ~ 8.0°		33.5° ~ 6.1°	
	V	33.5° ~ 6.1°		25.2° ~ 4.6°	
Control	Iris		Focus		Zoom
	Supply Voltage	DC 8 V	DC 8 V		DC 8 V
	Current	20 mA or less	40 mA or less		40 mA or less
	Transit Time	Approx. 2.5 sec.	Approx. 5 sec.		Approx. 4.5 sec.
Potentiometer	-		5KΩ VR		5KΩ VR
Operating Temperature	-10° C ~ +50° C				

1/2

C

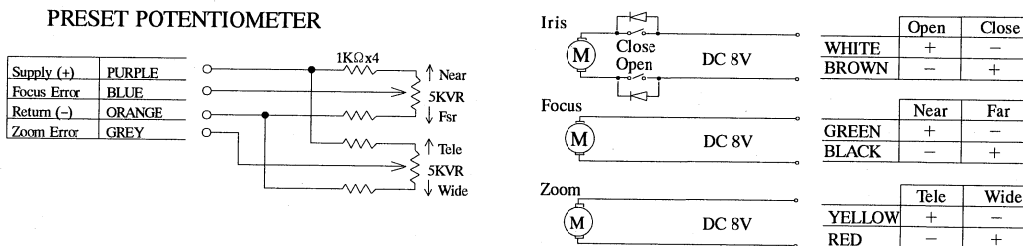
M.O.D. : Minimum Object Distance

Dimensions



ZM

Wiring Diagram



Remarks: Connect together with Brown (Iris), Black (Focus) and Red (Zoom) for common system when necessary.