



**For Security  
Zoom**

# Y12x6A-YE2

Applicable camera (model)

1	2/3	1/2	1/3	1/4
---	-----	-----	-----	-----

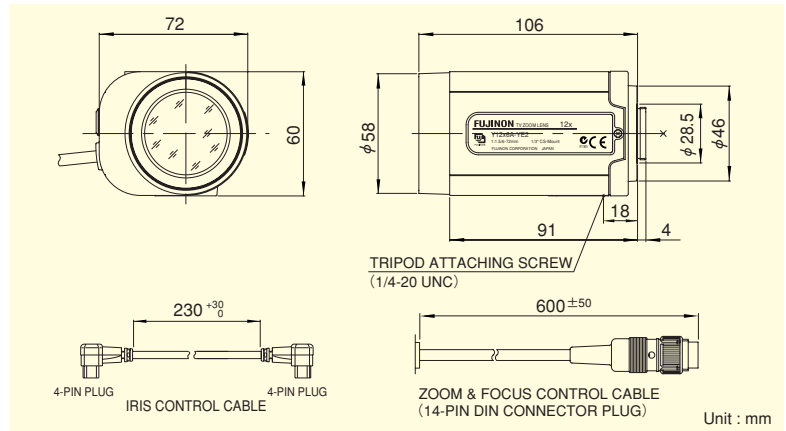
**12x**



\*Photograph is a similar model.

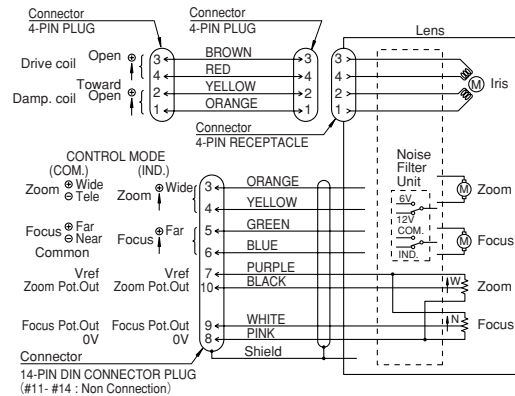
<b>ZOOM</b> Zoom	<b>WIDE</b> Wide Angle	<b>TELE</b> Telephoto Long Focal	<b>MOTOR DRIVE</b> Motor Drive	<b>DC</b> DC Auto Iris	<b>CS-mt</b> CS Mount	<b>METAL</b> Metal Mount
				<b>PRESET</b> Potentiometer	<b>ND</b> ND Filter	<b>F1.5</b> Wide Aperture Rate

- High standard zoom lens with excellent cost performance.
- Multi power compatibility (6V, ±6V, 12V, ±12V), for use with existing control systems.
- Built-in potentiometer, supporting the preset-enabled specification.
- Built-in ND filter of T400, supporting high sensitivity cameras.



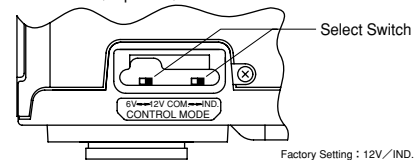
Focal Length (mm)		6~72 (12x)	
Iris Range		F1.5 ~ T400 (Equivalent to F400)	
Operation	Zoom	Motor Drive	
	Focus	Motor Drive	
	Iris	Auto (DC Type) (*1)	
Angle Of View (HxV)	1/3"	WIDE	43°36' X 33°24'
		TELE	3°49' X 2°52'
	1/4"	WIDE	33°24' X 25°22'
		TELE	2°52' X 2°09'
Focusing Range (From Front Of The Lens) (m)		∞ ~ 1.3	
Object Dimensions at M.O.D. (HxV) (mm)	1/3"	WIDE	1003 X 753
		TELE	84 X 63
	1/4"	WIDE	752 X 565
		TELE	63 X 47
Back Focal Distance (in air) (mm)		11.69	
Exit Pupil Position (From Image Plane) (mm)		-6028	
Filter Thread (mm)		M55 X 0.75	
Mount		CS	
Mass (g)		350	
Coil Resistance		Drive Coil	180Ω
		Damping Coil	720Ω
Current Consumption		22mA (Max.) at DC 4V	
Standard Accessories		Iris Control Cable Connection Connector (10-pin)	
Remarks		• With Metal Mount (*1) When power is turned off, iris will automatically close.	

## Wiring



## Control Mode

(Top View)



Controller output	Select switch position
6V	6V / IND.
±6V	6V / COM.
12V	12V / IND.
±12V	12V / COM.

## Accessories

### Close-up Lens

Product Name		CL3355 (M55X0.75mm fc=333mm)	CL10055 (M55X0.75mm fc=1000mm)
Imaging Area (mm)		333~265	1000~565
Object Dimensions (mm)	1/3"	WIDE	204X153
		TELE	17X13
	1/4"	WIDE	153X115
		TELE	13X10