



For Surveillance Telephoto Zoom

Applicable camera (model)

1	2/3	1/2	1/3	1/4
---	-----	-----	-----	-----

22x



*Photograph is a similar model.

ZOOM
Zoom

WIDE
Wide Angle

TELE
Telephoto Long Focal

MOTOR DRIVE
Motor Drive

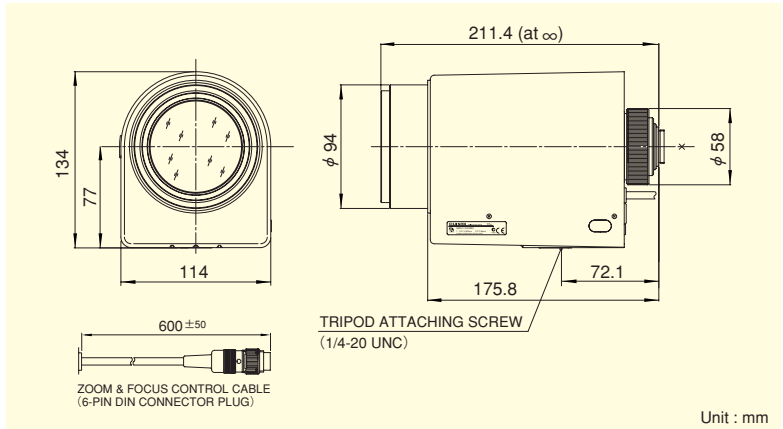
REMOTE
Remote Iris

C-mt
C Mount

METAL
Metal Mount

F1.6

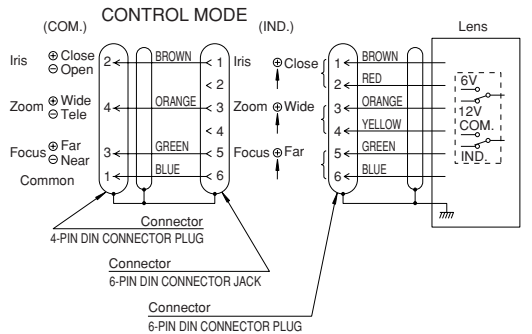
Wide Aperture Rate



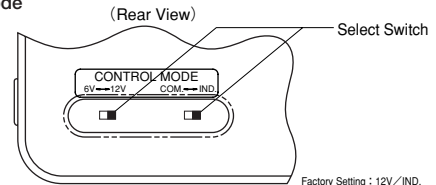
- High-power zoom lens covering wide angle and telephoto.
- Multi power compatibility (6V, ±6V, 12V, ±12V), for use with existing control systems.
- Compatible with a wide range - 2/3", 1/2" and 1/3" - cameras.

Focal Length (mm)		11.5~253 (22x)	
Iris Range		F1.6 ~ F22 · Close	
Operation	Zoom	Motor Drive	
	Focus	Motor Drive	
	Iris	Motor Drive	
Angle Of View (H×V)	2/3"	WIDE	41°52' × 32°01'
		TELE	2°00' × 1°30'
	1/2"	WIDE	31°06' × 23°34'
		TELE	1°27' × 1°05'
	1/3"	WIDE	23°34' × 17°47'
		TELE	1°05' × 0°49'
Focusing Range (From Front Of The Lens) (m)		∞ ~ 3	
Object Dimensions at M.O.D. (H×V) (mm)	2/3"	WIDE	2213 × 1660
		TELE	101 × 75
	1/2"	WIDE	1609 × 1207
		TELE	73 × 55
	1/3"	WIDE	1207 × 905
		TELE	55 × 41
Back Focal Distance (in air) (mm)		35.95	
Exit Pupil Position (From Image Plane) (mm)		-103	
Filter Thread (mm)		M82 × 0.75	
Mount		C	
Mass (kg)		2.3	
Standard Accessories		Conversion Cable (6-pin→4-pin) Connection Connector (4-pin, 6-pin)	
Remarks		• With Metal Mount	

Wiring



Control Mode



Controller output	Select switch position	Conversion cable (Standard accessory)
6V	6V/IND.	Not necessary
±6V	6V/COM.	Necessary
12V	12V/IND.	Not necessary
±12V	12V/COM.	Necessary

Accessories

Extender

Product Name	Magnification
HE15-1	1.5X
HE20-1	2X