



**For Security Zoom**

**MP** MEGA PIXELS

**D8x7.8HA-YE2**

Applicable camera (model)

|   |     |     |     |     |
|---|-----|-----|-----|-----|
| 1 | 2/3 | 1/2 | 1/3 | 1/4 |
|---|-----|-----|-----|-----|

8x



\*Photograph is a similar model.

- Standard zoom lens with excellent cost performance.
- High image-quality monitoring with optical performance supporting 1.3 megapixels.
- Wide aperture of F1.2, providing optimal performance under low light intensity.
- Compact and lightweight design, allowing easy storage into small housings.
- Built-in ND filter of T400, providing support for high sensitivity cameras.
- Multi power compatibility (6V, ±6V, 12V, ±12V), for use with existing control systems.

**ZOOM**  
Zoom

**WIDE**  
Wide Angle

**MOTOR DRIVE**  
Motor Drive

**1.3 Mega**  
For Megapixel Camera

**DC**  
DC Auto Iris

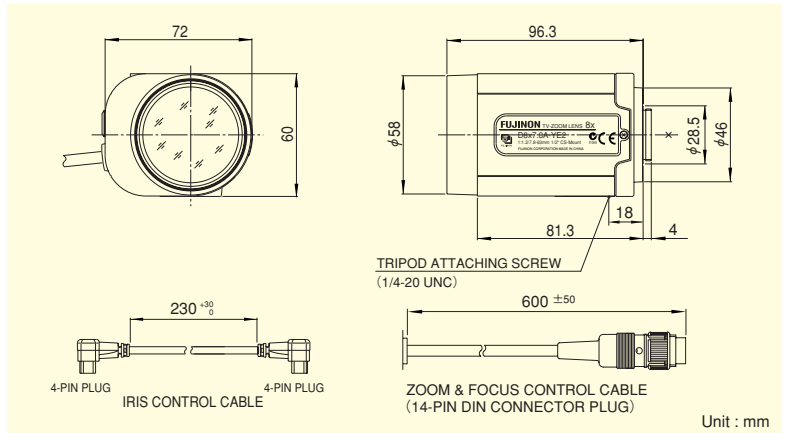
**CS-mt**  
CS Mount

**METAL**  
Metal Mount

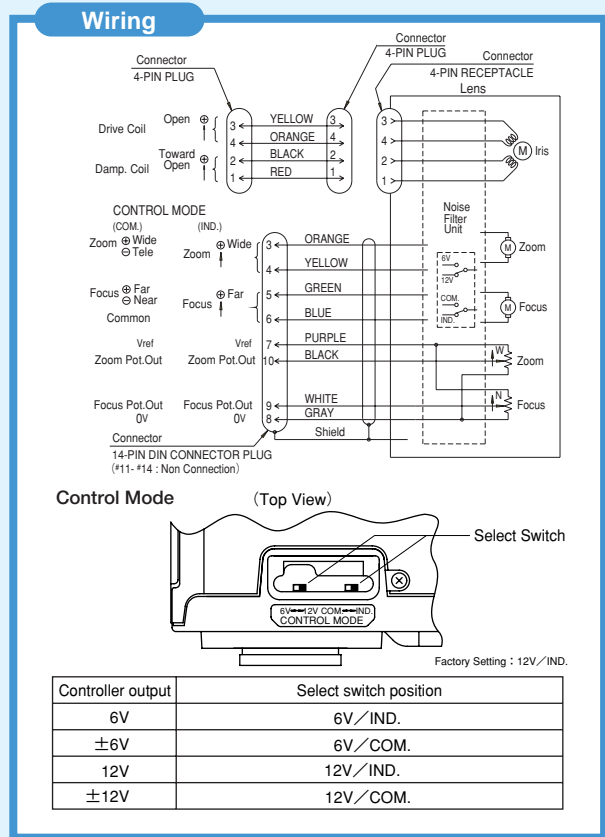
**PRESET**  
Potentiometer

**ND**  
ND Filter

**F1.2**  
Wide Aperture Rate



|   |       |   |                 |
|---|-------|---|-----------------|
| Focal Length (mm)                           |       | 7.8~63 (8x)   |                 |
| Iris Range                                  |       | F1.2 ~ T400 (Equivalent to F400)  |                 |
| Operation                                   | Zoom  | Motor Drive   |                 |
|   | Focus | Motor Drive   |                 |
|   | Iris  | Auto (DC Type) (*1)   |                 |
| Angle Of View (HxV)                         | 1/2"  | WIDE  | 44°37' X 34°12' |
|   |       | TELE  | 5°49' X 4°22'   |
|   | 1/3"  | WIDE  | 34°12' X 25°59' |
|   |       | TELE  | 4°22' X 3°16'   |
| 1/4"  | WIDE  | 25°59' X 19°38'   |                 |
|   | TELE  | 3°16' X 2°27'   |                 |
| Focusing Range (From Front Of The Lens) (m) |       | ∞ ~ 1.2   |                 |
| Object Dimensions at M.O.D. (HxV) (mm)      | 1/2"  | WIDE  | 944 X 708       |
|   |       | TELE  | 117 X 88        |
|   | 1/3"  | WIDE  | 708 X 531       |
|   |       | TELE  | 88 X 66         |
| 1/4"  | WIDE  | 531 X 398   |                 |
|   | TELE  | 66 X 49   |                 |
| Back Focal Distance (in air) (mm)           |       | 14.00   |                 |
| Exit Pupil Position (From Image Plane) (mm) |       | -55   |                 |
| Filter Thread (mm)                          |       | M55 X 0.75  |                 |
| Mount                                       |       | CS  |                 |
| Mass (g)                                    |       | 400   |                 |
| Coil Resistance                             |       | Drive Coil  | 200Ω            |
|   |       | Damping Coil  | 700Ω            |
| Current Consumption                         |       | 22mA (Max.) at DC 4V  |                 |
| Standard Accessories                        |       | Iris Control Cable<br>Connection Connector (10-pin)                                 |                 |
| Remarks                                     |       | • With Metal Mount<br>(*1) When power is turned off, iris will automatically close. |                 |



**Accessories**

■ Close-up Lens

| Product Name           | CL3355 (M55x0.75mm fc=333mm) | CL10055 (M55x0.75mm fc=1000mm) |         |
|------------------------|------------------------------|--------------------------------|---------|
| Imaging Area (mm)      | 333~261                      | 1000~545                       |         |
| Object Dimensions (mm) | 1/2"                         | WIDE                           | 205X153 |
|                        |                              | TELE                           | 25X19   |
|                        | 1/3"                         | WIDE                           | 153X115 |
|                        |                              | TELE                           | 19X14   |
| 1/4"                   | WIDE                         | 115X86                         |         |
|                        | TELE                         | 14X11                          |         |

ZOOM LENSES