



For Surveillance Telephoto Zoom

Applicable camera (model)

1	2/3	1/2	1/3	1/4
---	-----	-----	-----	-----

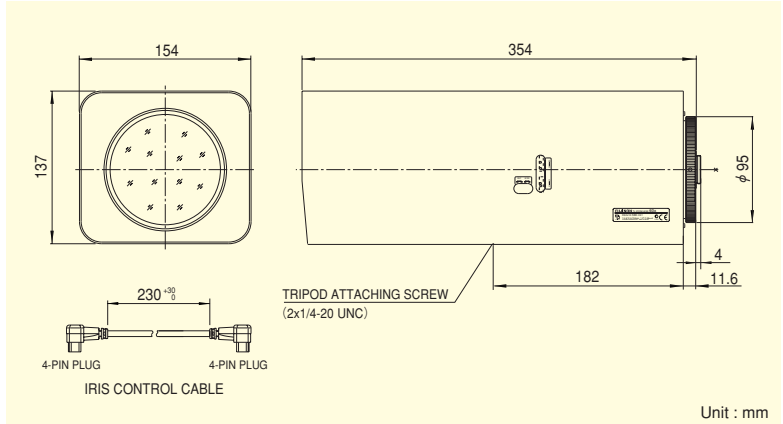
60x



*Photograph is a similar model.

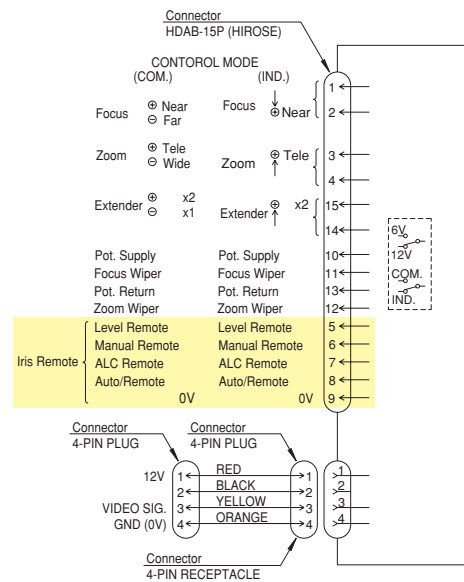
- Offering F3.8 brightness and 60x zoom (focal length of 1500mm when used with an extender), these lenses are suited for long-range surveillance, such as for seaport security.
- The compact and lightweight design allows establishment of compact remote surveillance systems.
- Equipped with a 2x extender that provides clear identification of individuals activities at a distance of 3km.
- Multi-power compatibility for connection to existing surveillance systems for zoom operation.
- Iris Override function allows manual iris adjustment.

ZOOM Zoom	WIDE Wide Angle	TELE Telephoto Long Focal	MOTOR DRIVE Motor Drive	VIDEO Video Auto Iris	IRIS-REMOTE Iris Remote	C-mt C Mount
METAL Metal Mount	PRESET Potentiometer	N D ND Filter	2 x Extender	F3.8 Wide Aperture Rate		

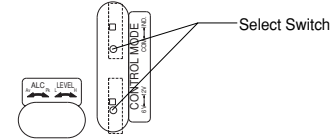


		1x	2x
Focal Length (mm)		12.5~750 (60x)	25~1500 (60x)
Iris Range		F3.8~T3000 (Equivalent to F3000)	F7.6~T3000 (Equivalent to F3000)
Operation	Zoom	Motor Drive	
	Focus	Motor Drive	
	Iris	Auto (Video Type) or Remote (*1) (*2)	
Angle Of View (HxV)	1/2"	WIDE	28°43' × 21°44'
		TELE	0°29' × 0°22'
	1/3"	WIDE	21°44' × 16°23'
		TELE	0°22' × 0°17'
	1/4"	WIDE	16°23' × 12°20'
		TELE	0°17' × 0°08'
Focusing Range (From Front Of The Lens) (m)		∞ ~ 5	∞ ~ 5
Object Dimensions at M.O.D. (HxV) (mm)	1/2"	WIDE	2465 × 1849
		TELE	41 × 31
	1/3"	WIDE	1849 × 1387
		TELE	31 × 23
	1/4"	WIDE	1387 × 1040
		TELE	23 × 17
Back Focal Distance (in air) (mm)		53.23	31.10
Exit Pupil Position (From Image Plane) (mm)		-77	-38
Filter Thread (mm)		M107X1	
Mount		C	
Extender		2x	
Mass (kg)		5.1	
Standard Accessories		Iris Control Cable Connection Connector (15-pin)	
Remarks		<ul style="list-style-type: none"> • With Metal Mount (*1) When power is turned off, iris will automatically close. (*2) For Iris remote function please refer to page (J-1). 	

Wiring



Control Mode (Side View)



Factory Setting : 12V / IND.

Controller output	Select switch position
6V	6V / IND.
±6V	6V / COM.
12V	12V / IND.
±12V	12V / COM.