



For Surveillance Telephoto Zoom

Applicable camera (model)

1	2/3	1/2	1/3	1/4
---	-----	-----	-----	-----

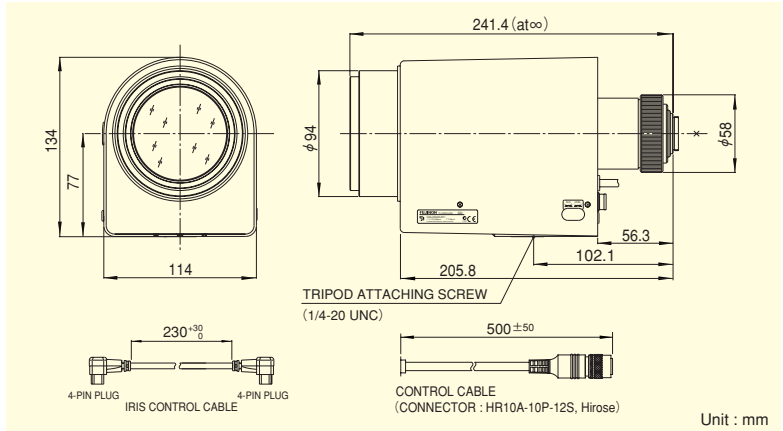
22×



*Photograph is a similar model.

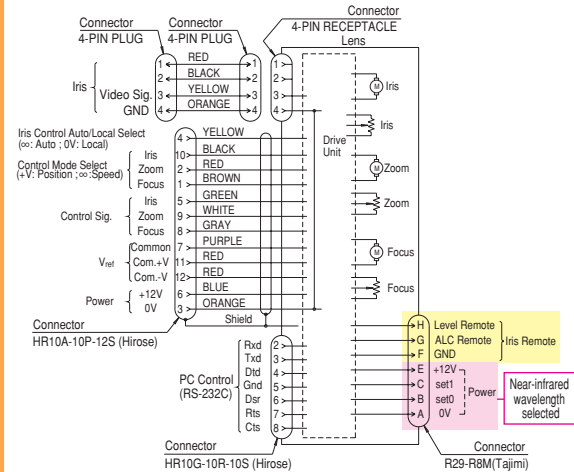
- Zoom lens with near-infrared wavelength selection mechanism, best suited for day and night cameras.
- High-power zoom lens with focal length of 500mm, best suited for remote surveillance.
- Compact and lightweight design, allowing compact systems to be easily established.
- Special built-in ND filter of T3000, providing support for ultra sensitive cameras.
- Equipped with the RS-232C interface for advanced control.
- Auto iris is remotely operable, allowing light intensity to be fine adjusted according to the monitoring target.
- Supports 1" II tube cameras.

ZOOM Zoom	TELE Telephoto Long Focal	MOTOR DRIVE Motor Drive	Day~Night Day & Night	VIDEO Video Auto Iris	IRIS-REMOTE Iris Remote	C-mt C Mount
METAL Metal Mount	PC PC Control	SERVO Full Servo	ND ND Filter			

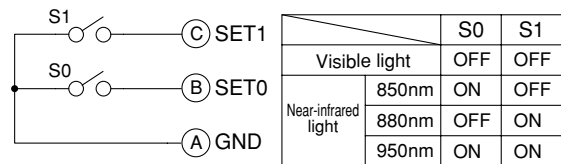


Focal Length (mm)		23~506 (22×)	
Iris Range		F3.1 ~ T3000 (Equivalent to F3000)	
Operation	Zoom	Servo Control	
	Focus	Servo Control	
Angle Of View (H×V)	Iris	Auto (Video Type), Remote (*1)	
		or Servo Control	
Angle Of View (H×V)	1"	WIDE	31°06' × 23°35'
		TELE	1°27' × 1°05'
	2/3"	WIDE	21°40' × 16°20'
		TELE	1°00' × 0°45'
	1/2"	WIDE	15°50' × 11°55'
		TELE	0°43' × 0°33'
	1/3"	WIDE	11°55' × 8°57'
		TELE	0°32' × 0°24'
Focusing Range (From Front Of The Lens) (m)		∞ ~ 3	
Object Dimensions at M.O.D. (H×V) (mm)	1"	WIDE	1611 × 1208
		TELE	73 × 55
	2/3"	WIDE	1108 × 831
		TELE	50 × 38
	1/2"	WIDE	806 × 604
		TELE	37 × 27
	1/3"	WIDE	604 × 453
		TELE	27 × 21
Back Focal Distance (in air) (mm)		39.54	
Exit Pupil Position (From Image Plane) (mm)		-64	
Filter Thread (mm)		M82 × 0.75	
Mount		C	
Mass (kg)		2.4	
Standard Accessories		Iris Control Cable Connection Connector (8-pin)	
Remarks		• With Metal Mount (*1) For Iris remote function please refer to page (J-1)	

Wiring



Near-infrared wavelength selected



Accessories

Extender	
Model	Magnification
HE15-1	1.5×
HE20-1	2×