



# For Surveillance Telephoto Zoom

Applicable camera (model)

1	2/3	1/2	1/3	1/4
---	-----	-----	-----	-----

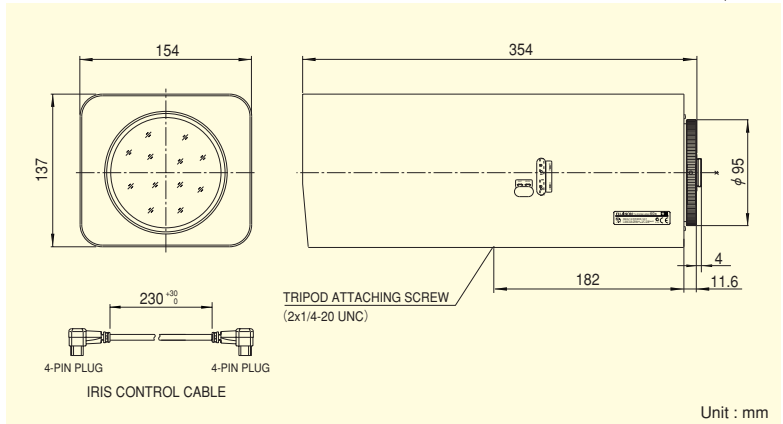
60x



\*Photograph is a similar model.

- Offering F3.8 brightness and 60x zoom (focal length of 1500mm when used with an extender), these lenses are suited for long-range surveillance, such as for seaport security.
- The compact and lightweight design allows establishment of compact remote surveillance systems.
- Day/Night capability for high-quality imaging around the clock.
- Equipped with a 2x extender that provides clear identification of individuals activities at a distance of 3km.
- Multi-power compatibility for connection to existing surveillance systems for zoom operation.
- Iris Override function allows manual iris adjustment.

<b>ZOOM</b> Zoom	<b>WIDE</b> Wide Angle	<b>TELE</b> Telephoto Long Focal	<b>MOTOR DRIVE</b> Motor Drive	<b>Day~Night</b> Day & Night	<b>VIDEO</b> Video Auto Iris	<b>IRIS-REMOTE</b> Iris Remote
<b>C-mt</b> C Mount	<b>METAL</b> Metal Mount	<b>PRESET</b> Potentiometer	<b>N D</b> ND Filter	<b>2 x</b> Extender	<b>F3.8</b> Wide Aperture Rate	

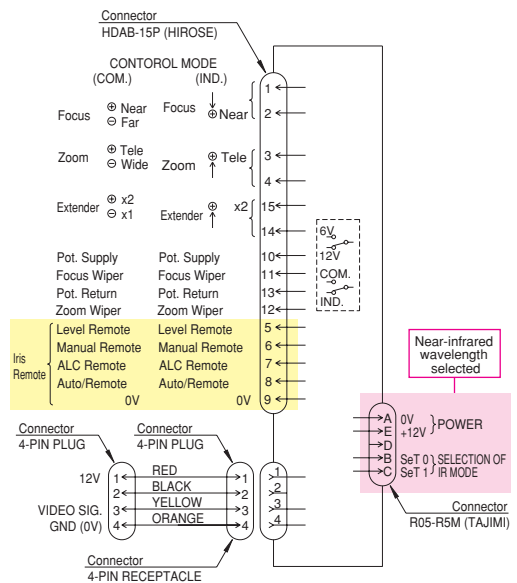


		1x		2x	
Focal Length (mm)		12.5~750 (60x)		25~1500 (60x)	
Iris Range		F3.8~T3000 (Equivalent to F3000)		F7.6~T3000 (Equivalent to F3000)	
Operation	Zoom	Motor Drive			
	Focus	Motor Drive			
	Iris	Auto (Video Type) or Remote (*1) (*2)			
Angle Of View (HxV)	1/2"	WIDE	28°43' × 21°44'	14°35' × 10°58'	
		TELE	0°29' × 0°22'	0°15' × 0°11'	
	1/3"	WIDE	21°44' × 16°23'	10°58' × 8°14'	
		TELE	0°22' × 0°17'	0°11' × 0°08'	
	1/4"	WIDE	16°23' × 12°20'	8°14' × 6°11'	
		TELE	0°17' × 0°08'	0°08' × 0°06'	
Focusing Range (From Front Of The Lens) (m)		∞ ~ 5		∞ ~ 5	
Object Dimensions at M.O.D. (HxV) (mm)	1/2"	WIDE	2465 × 1849	1233 × 924	
		TELE	41 × 31	21 × 15	
	1/3"	WIDE	1849 × 1387	925 × 693	
		TELE	31 × 23	16 × 12	
	1/4"	WIDE	1387 × 1040	693 × 520	
		TELE	23 × 17	12 × 9	
Back Focal Distance (in air) (mm)		53.23		31.10	
Exit Pupil Position (From Image Plane) (mm)		-77		-38	
Filter Thread (mm)		M107x1			
Mount		C			
Extender		2x			
Mass (kg)		5.2			
Standard Accessories		Iris Control Cable Connection Connector (15-pin, 5-pin)			

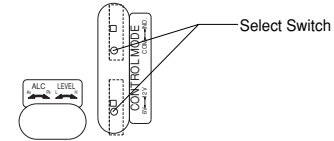
Remarks

- With Metal Mount
- (\*1) When power is turned off, iris will automatically close.
- (\*2) For Iris remote function please refer to page (J-1).

### Wiring



### Control Mode (Side View)



Factory Setting : 12V/IND.

Controller output	Select switch position
6V	6V/IND.
±6V	6V/COM.
12V	12V/IND.
±12V	12V/COM.

### Near-infrared wavelength selected

