



**For Security
Zoom**

D12x8A-SE2

Applicable camera (model)

1 2/3 1/2 1/3 1/4

ZOOM
Zoom

WIDE
Wide Angle

TELE
Telephoto
Long Focal

MOTOR DRIVE
Motor Drive

DC
DC Auto Iris

CS-mt
CS Mount

METAL
Metal Mount

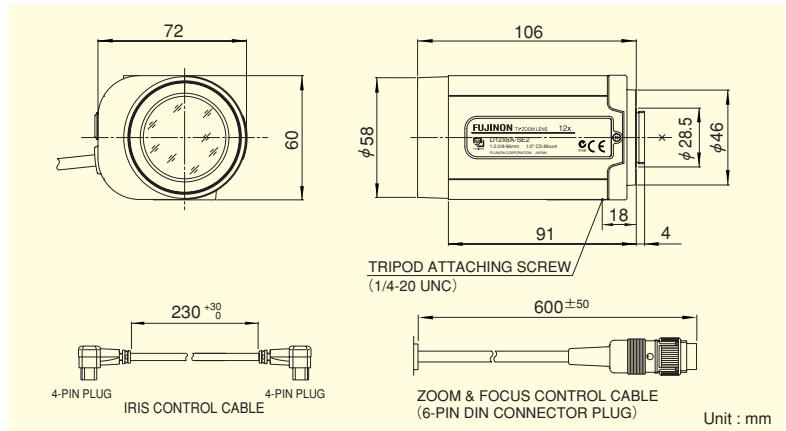
ND
ND Filter

12x



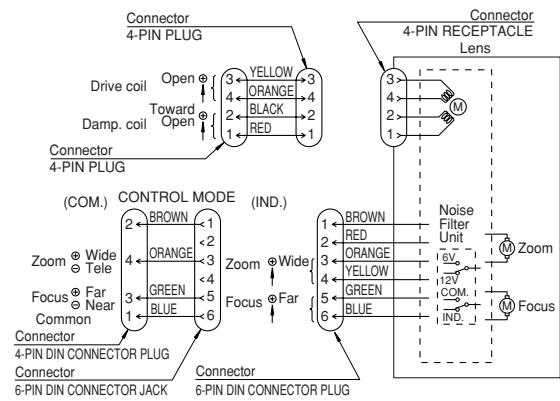
*Photograph is a similar model.

- High standard zoom lens with excellent cost performance.
- Multi power compatibility (6V, ±6V, 12V, ±12V), for use with existing control systems.
- Built-in ND filter of T400, supporting high sensitivity cameras.

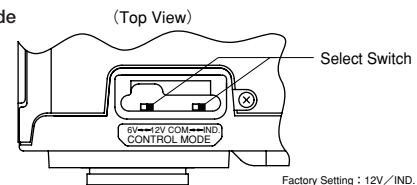


Focal Length (mm)		8~96 (12x)	
Iris Range		F2.0 ~ T400 (Equivalent to F400)	
Operation	Zoom	Motor Drive	
	Focus	Motor Drive	
	Iris	Auto (DC Type) (*1)	
Angle Of View (HxV)	1/2"	WIDE	43°36' X 33°24'
		TELE	3°49' X 2°52'
	1/3"	WIDE	33°24' X 25°22'
		TELE	2°52' X 2°09'
	1/4"	WIDE	25°22' X 19°09'
		TELE	2°09' X 1°37'
Focusing Range (From Front Of The Lens) (m)		∞ ~ 1.3	
Object Dimensions at M.O.D. (HxV) (mm)	1/2"	WIDE	1003 X 753
		TELE	84 X 63
	1/3"	WIDE	752 X 565
		TELE	63 X 47
	1/4"	WIDE	564 X 424
		TELE	47 X 35
Back Focal Distance (in air) (mm)		16.22	
Exit Pupil Position (From Image Plane) (mm)		-51	
Filter Thread (mm)		M55 X 0.75	
Mount		CS	
Mass (g)		330	
Coil Resistance		Drive Coil	180Ω
		Damping Coil	720Ω
Current Consumption		22mA (Max.) at DC 4V	
Standard Accessories		Iris Control Cable Conversion Cable (6-pin→4-pin) Connection Connector (4-pin, 6-pin)	
Remarks		• With Metal Mount (*1) When power is turned off, iris will automatically close.	

Wiring



Control Mode



Controller output	Select switch position	Conversion cable (Standard accessory)
6V	6V / IND.	Not necessary
±6V	6V / COM.	Necessary
12V	12V / IND.	Not necessary
±12V	12V / COM.	Necessary

Accessories

Close-up Lens

Product Name		CL3355 (M55×0.75mm fc=333mm)	CL10055 (M55×0.75mm fc=1000mm)
Imaging Area (mm)		333~250	1000~500
Object Dimensions (mm)	1/2"	WIDE	204×153
		TELE	17×13
	1/3"	WIDE	153×115
		TELE	13×10
	1/4"	WIDE	115×86
		TELE	10×7